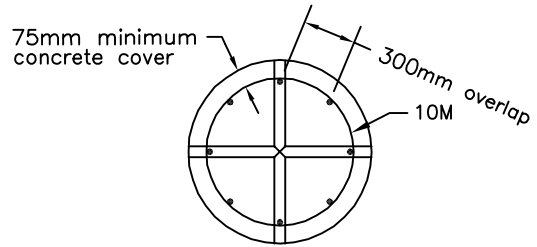
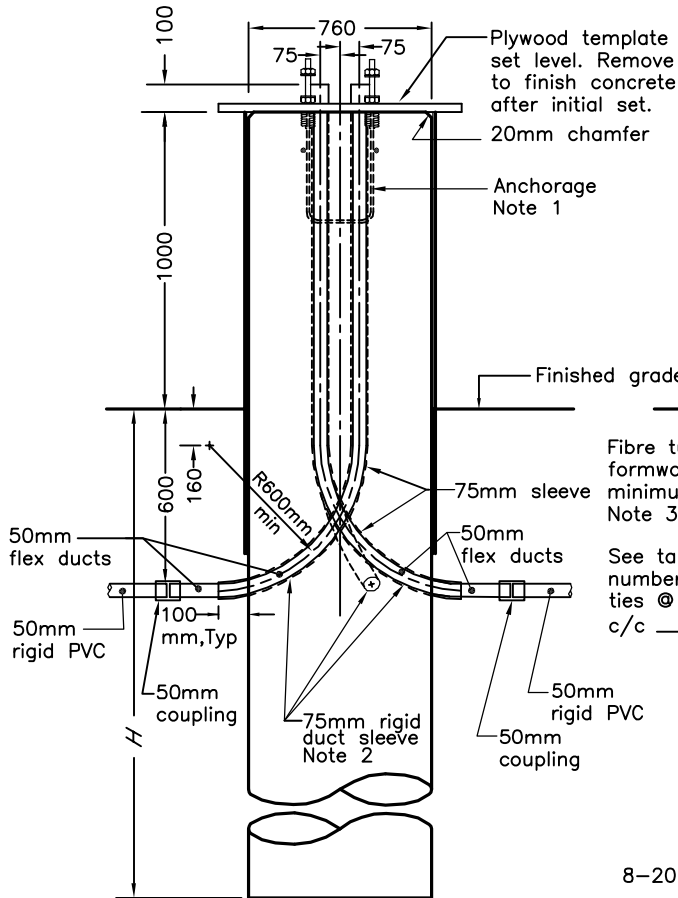


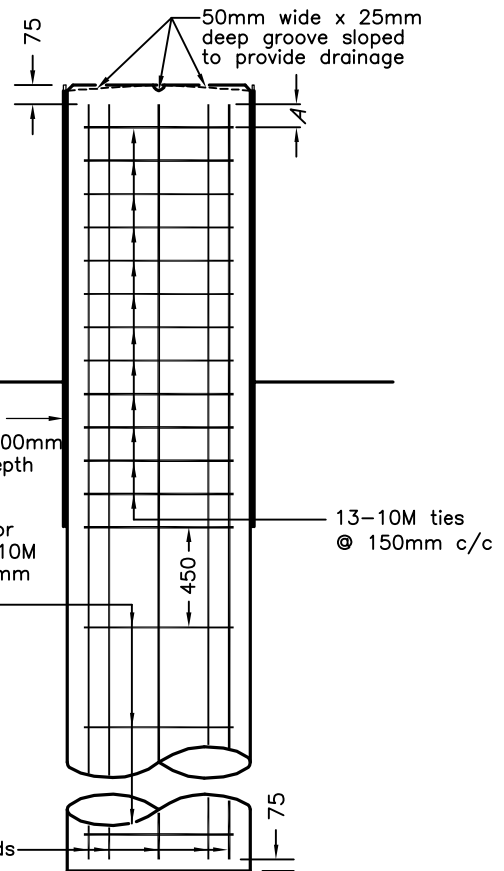
PLAN



PLAN



ELEVATION LAYOUT



ELEVATION REINFORCEMENT

NOTES:

- 1 For anchorage assembly see OPSD 2215.02.
- 2 Minimum of two sleeves required for each concrete footing. Three sleeves as specified.
- 3 Remove formwork above finished grade after initial set.
- A For pole mounting details see OPSD 2215.03.
- B All dimensions are in millimetres unless otherwise shown.

POLE LENGTH m	BURIAL DEPTH H m	ROD LENGTH m	A mm	NO. OF 10M TIES @ 450 c/c	BOLT CIRCLE DIA FOR METAL POLES		
					Aluminum	Steel	Sectional Steel
5.6	2.15	3.00	100	3	N/A	N/A	449
7.0	2.15	3.00	100	3	N/A	N/A	449
7.5	2.15	3.00	100	3	406	406	N/A
8.7	2.45	3.30	250	3	N/A	N/A	449
9.0	2.45	3.30	0	4	406	406	N/A
10.5	2.60	3.45	100	4	406	406	449
12.0	2.75	3.60	150	4	406	406	N/A
13.6	2.90	3.75	0	5	406	406	N/A
15.1	3.05	3.90	100	5	406	406	N/A

N/A - Not applicable

ONTARIO PROVINCIAL STANDARD DRAWING

Nov 2010 Rev 0

**RAISED CONCRETE FOOTING
FOR BASE MOUNTED LIGHTING POLES**



OPSD 2200.011