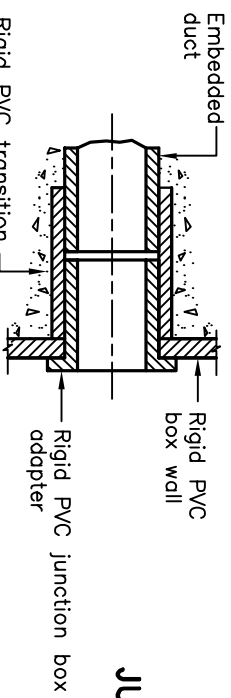
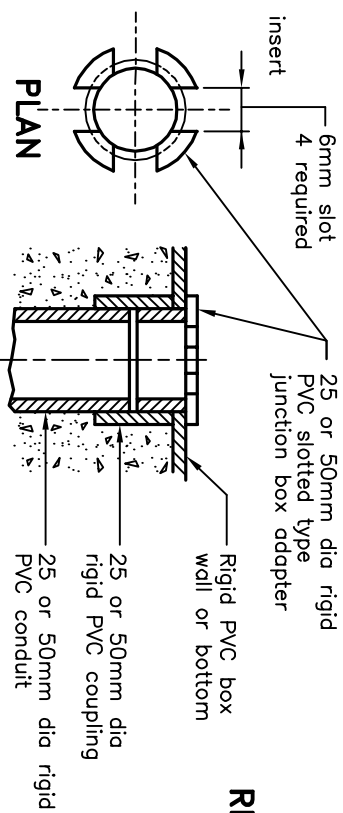


SECTION B-B WITH COVER



TYPICAL CONNECTION FOR RIGID CONDUIT



TYPICAL DETAIL FOR DRAINAGE

- NOTES:**
- 1 Rigid PVC transition coupling shall be suitable for use with embedded ducts.
 - A For junction box conduit entries, refer to the Contract Drawings.
 - B All dimensions are in millimetres unless otherwise shown.

JUNCTION BOX ADAPTER SIZES

JUNCTION BOX ADAPTER	DRILL HOLE SIZES
25	33
32	42
38	48
50	60
65	73
75	88

DIMENSIONS OF TYPE P2 RIGID PVC JUNCTION BOXES

PVC BOX (INSIDE) DIMENSION WITH COVER	A	B
TYPE No.	A	B
P2-1	102	70
P2-2	102	106
P2-3	102	158
P2-4	127	151
P2-5	162	124
P2-6	162	157
P2-7	219	107
P2-8	219	184
P2-9	320	108
P2-10	320	158
P2-11	320	210

ONTARIO PROVINCIAL STANDARD DRAWING

Nov 2013

Rev 1

RIGID PVC JUNCTION BOX

TYPE P2



OPSD 2300.020