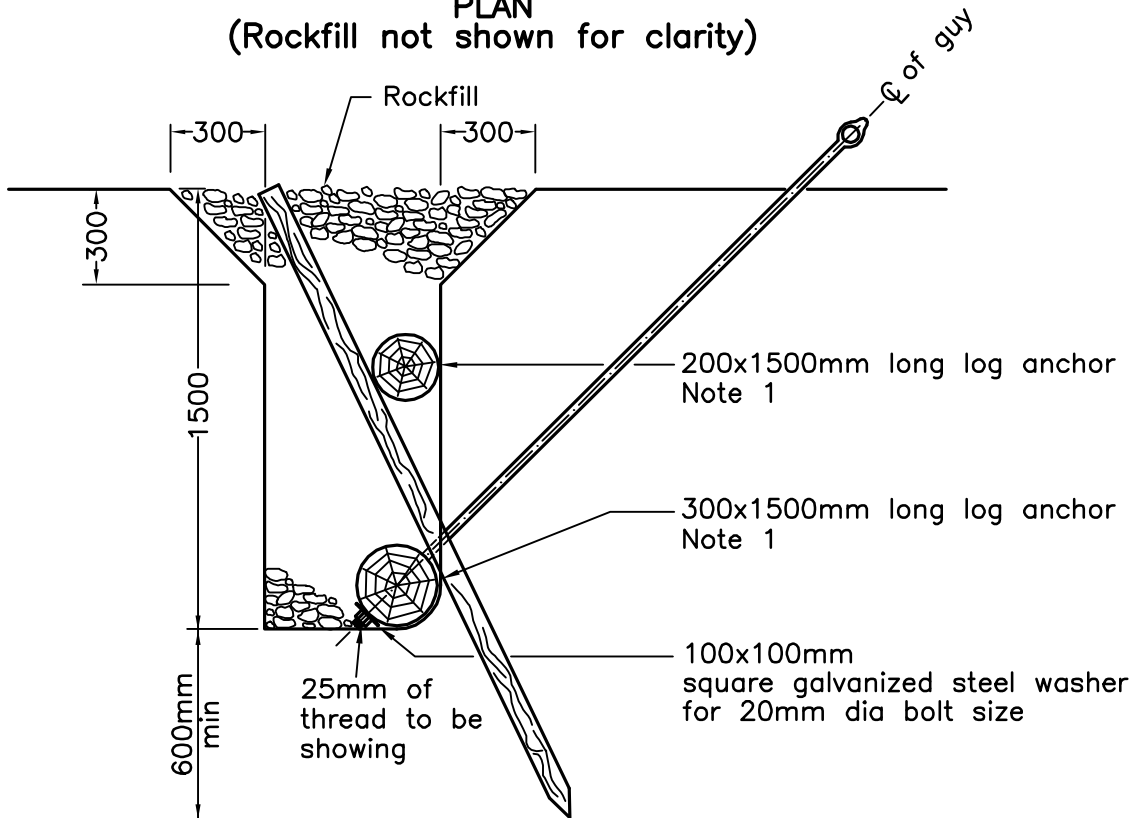


PLAN  
(Rockfill not shown for clarity)



SECTION A-A

NOTES:

- 1 Log anchor shall be cedar or hardwood and treated according to OPSS 1601.
- A To locate the position of the anchor see OPSS 2235.01.
- B All dimensions are in millimetres unless otherwise shown.

ONTARIO PROVINCIAL STANDARD DRAWING

Nov 2013

Rev 0

LOG ANCHOR  
FOR GUY IN MUSKEG



OPSD 2239.020