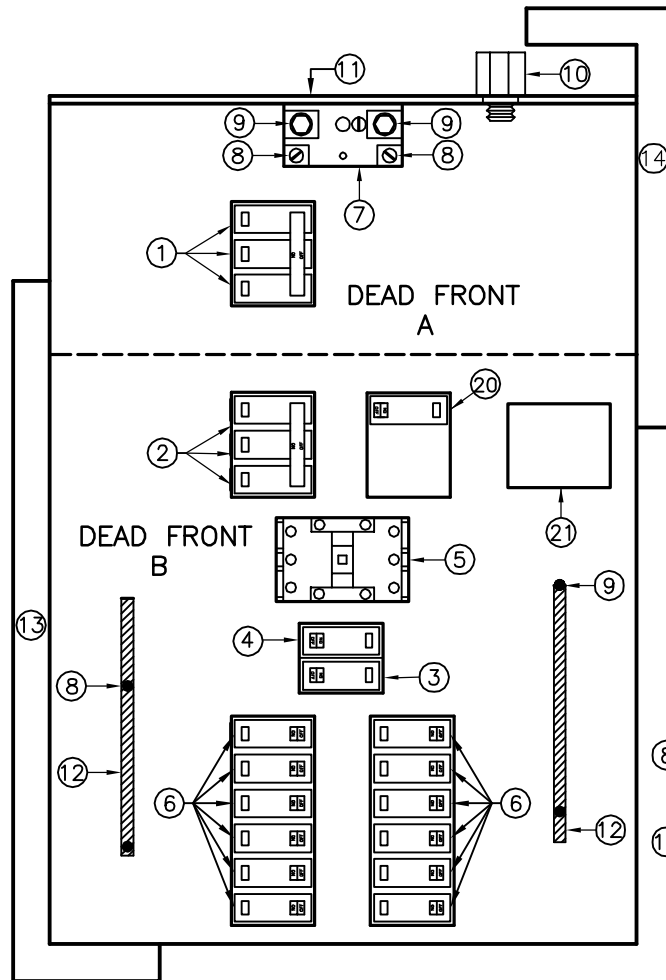
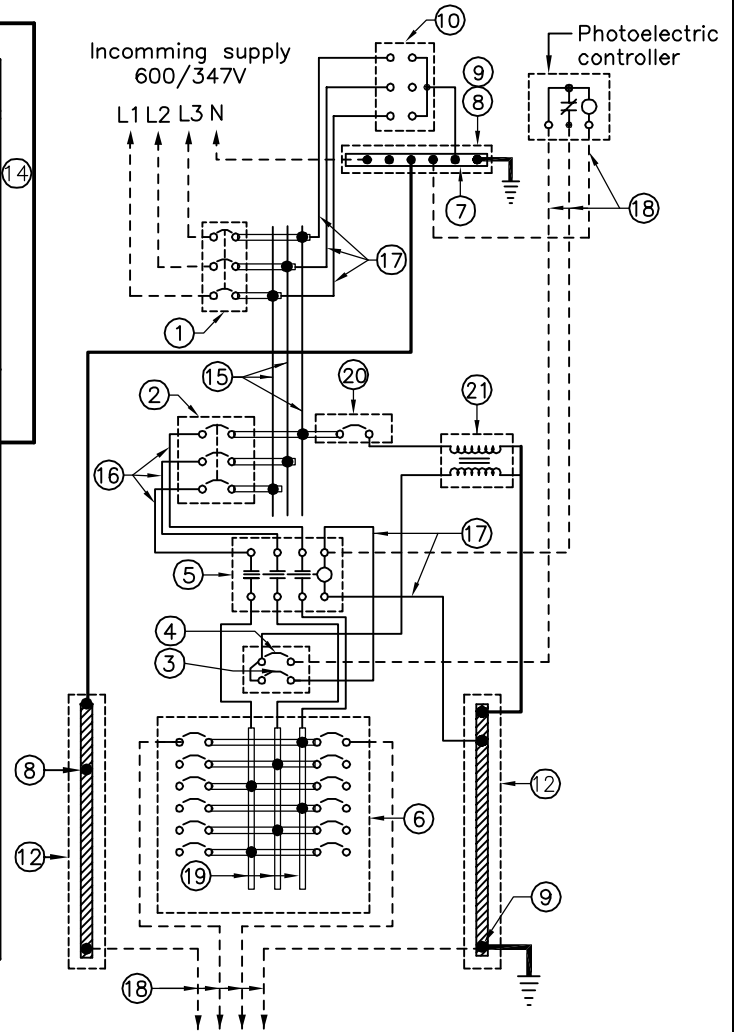


EQUIPMENT LAYOUT



SCHEMATIC WIRING DIAGRAM



ELECTRICAL EQUIPMENT LIST

- | | |
|--|---|
| <ul style="list-style-type: none"> ① Main circuit breaker - 600V, 100A, 3-pole ② Lighting circuit breaker - 600V, 60A, 3-pole ③ Circuit breaker used for relamping - 120/240V, 10A, 1-pole ④ Circuit breaker for photoelectric controller - 120/240V, 10A, 1-pole ⑤ Lighting contactor - 600V, 100A, 3-pole, 120V coil ⑥ Branch circuit breakers - 600/347V, 30A, 1-pole, number of breakers as specified ⑦ Solid neutral assembly - 100A minimum, copper ⑧ Ground lug for No. 6 AWG stranded copper ground wire ⑨ Ground lug for No. 2/0 AWG stranded copper ground wire | <ul style="list-style-type: none"> ⑩ Secondary lightning arrester, 650V, 3-pole ⑪ Drip shield ⑫ Secondary neutral and ground bus according to CSA and as specified ⑬ Primary barrier ⑭ Secondary barrier ⑮ No. 3 AWG RWU90 wire or copper bus bar ⑯ No. 6 AWG RWU90 wire ⑰ No. 12 AWG RWU90 wire ⑱ Field wiring ⑲ Copper bus bar ⑳ Circuit breaker for transformer, 600V, 15A ㉑ 347/120V 75VA control transformer |
|--|---|

NOTE:

A This OPSD shall be read in conjunction with OPSD 2440.030, 2440.050, and 2440.060.

ONTARIO PROVINCIAL STANDARD DRAWING

Nov 2014

Rev 0

**SUPPLY CONTROL CABINET
ASSEMBLY TYPE 2
600/347V, 100A, 3-PHASE, 4-WIRE**



OPSD 2440.021