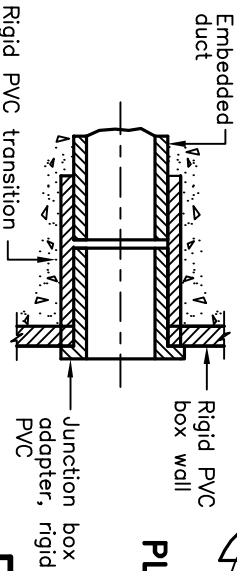
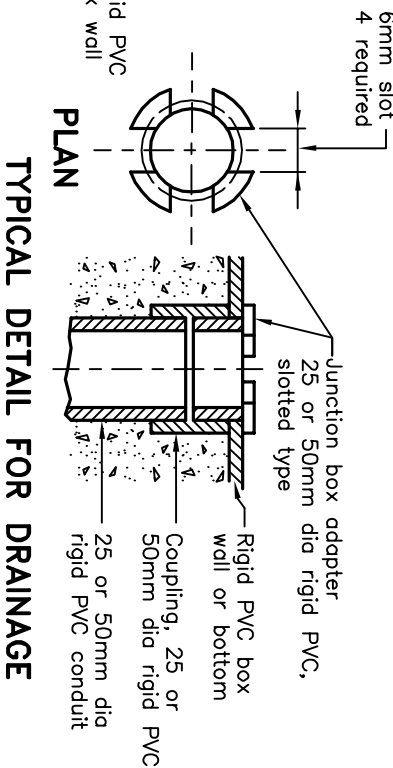


JUNCTION BOX ADAPTER SIZES

JUNCTION BOX ADAPTER	DRILL HOLE SIZES
25	33
30	42
40	48
50	60
65	73
75	88

DIMENSIONS OF TYPE P1 RIGID PVC JUNCTION BOXES

PVC BOX (INSIDE) DIMENSION	COVER THICK-NESS	DIM A			
TYPE No	LENGTH	WIDTH	DEPTH		
P1-1	150	150	110	6	15
P1-2	150	150	160	6	15
P1-3	200	200	110	9	20
P1-4	200	200	160	9	20
P1-5	200	200	185	9	20
P1-6	250	200	185	9	20
P1-7	300	300	185	9	20
P1-8	400	200	185	9	20
P1-9	400	400	185	9	20



Rigid PVC coupling
Note 1

TYPICAL CONNECTION FOR RIGID CONDUIT

ONTARIO PROVINCIAL STANDARD DRAWING

RIGID PVC JUNCTION BOX TYPE P1

Nov 2013 Rev 1

OPSD 2300.010



NOTES:
 1 Rigid PVC transition coupling shall be suitable for use with embedded ducts.
 A For junction box conduit entries, refer to the Contract Drawings.
 B All dimensions are in millimetres unless otherwise shown.