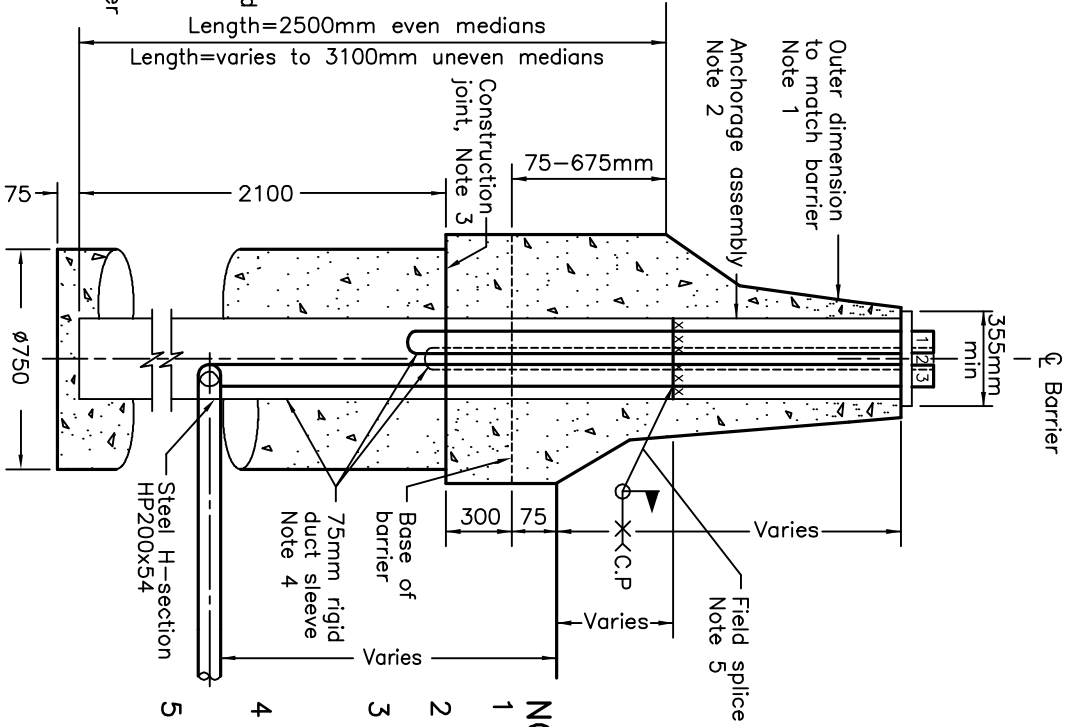


SECTION A-A



SECTION B-B

NOTES:

- 1 Concrete barrier shall be according to OPSD 911.131.
 - 2 Anchorage assembly shall be according to OPSD 2216.010.
 - 3 The upper portion of the footing may be poured with the barrier using a suitable box-out for the top opening.
 - 4 Minimum of two sleeves required for each concrete footing. Three sleeves as specified.
 - 5 The field splice is optional. Welding shall be according to CSA W59. Where construction staging allows the H-section should be supplied continuous with the H-section of the anchorage assembly.
- A All dimensions are in millimetres unless otherwise shown.

ONTARIO PROVINCIAL STANDARD DRAWING

**POLE FOOTING IN EARTH
FOR CAST-IN-PLACE CONCRETE BARRIER**

Nov 2016

Rev 1



OPSD 2200.070