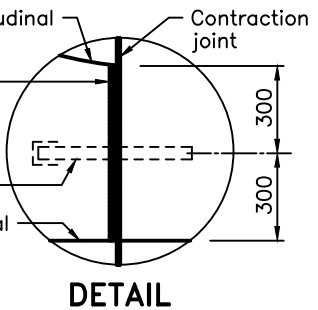
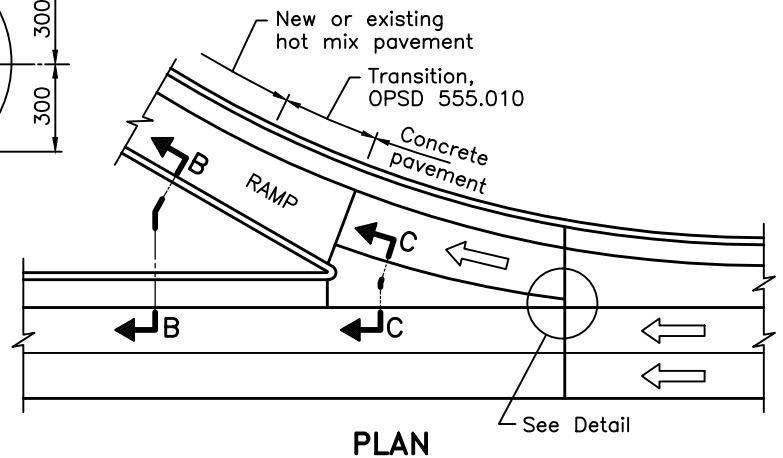


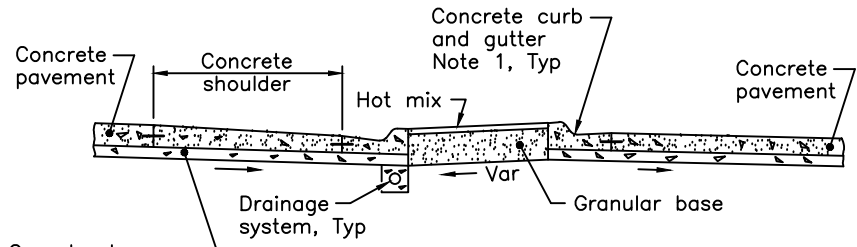
PLAN



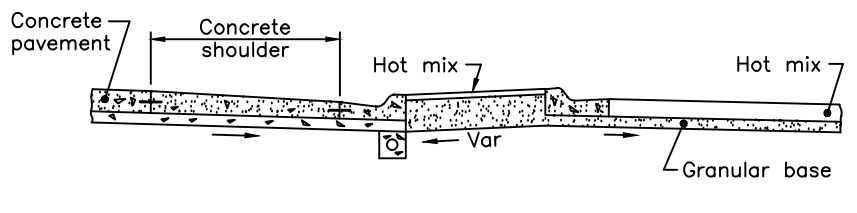
DETAIL



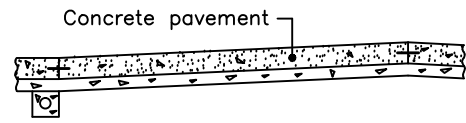
PLAN



SECTION A-A



SECTION B-B



SECTION C-C

NOTES:

- 1 Depth of curb with gutter shall be extended to coincide with bottom of concrete slab.
- 2 When base is open graded drainage layer, a minimum of 100mm of Granular A material is required beneath the base.
- A Exit ramp shown. Entrance ramp requires similar treatment.
- B All joints shall be according to OPSD 551.020 and 552.010.
- C All dimensions are in millimetres unless otherwise shown.

ONTARIO PROVINCIAL STANDARD DRAWING	Nov 2017	Rev 2	
CONCRETE PAVEMENT IN GORE AREAS	-----		
OPSD 553.010			