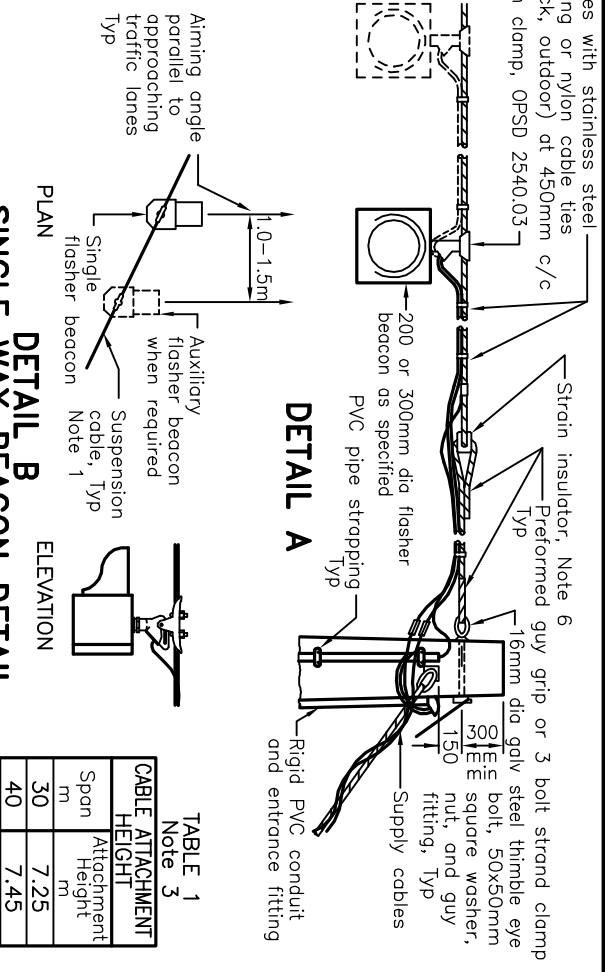


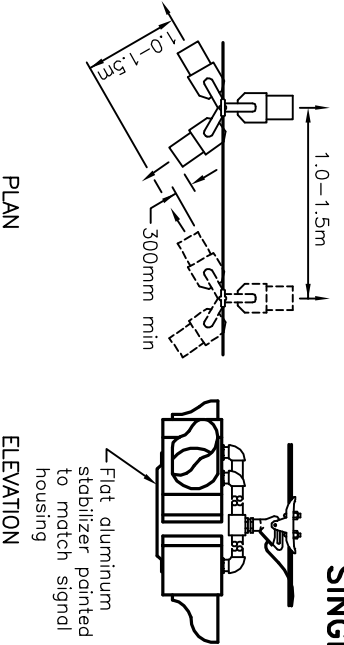
**DETAIL C
TWO-WAY BEACON DETAIL**

NOTES:

- 1 Suspension cable shall be 9mm diameter Grade 160 steel strand cable.
- 2 Attachment height shall be set to obtain the clearance height shown under CSA heavy loading conditions. Install suspension cable attachment height according to Table 1 and allow for deviations between pavement elevation and finished grade elevation at the pole.
- 3 Values shown in Table 1 shall be interpolated to obtain intermediate values.
- 4 Cable shall be installed using the tension corresponding to the installation temperature as shown in OPSD 2245.01.



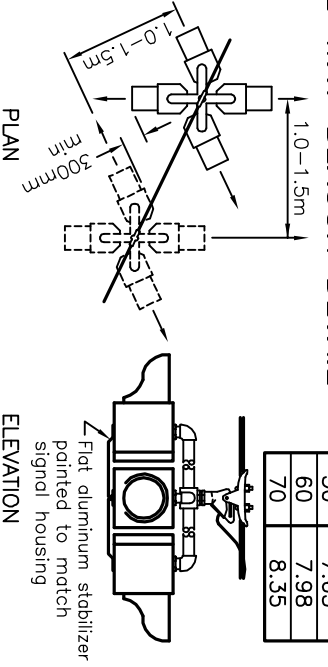
DETAIL A



**DETAIL D
THREE-WAY BEACON DETAIL**



**DETAIL B
SINGLE WAY BEACON DETAIL**



**DETAIL E
FOUR-WAY BEACON DETAIL**

- 5 For orientation and location of signal heads and poles, refer to layout drawings.
- 6 Strain insulators shall be used only for attachment to utility poles or poles with live cables installed above the suspension cable.

A All dimensions are in millimetres unless otherwise shown.

**TABLE 1
Note 3**

CABLE ATTACHMENT HEIGHT	
Span m	Attachment Height m
30	7.25
40	7.45
50	7.65
60	7.98
70	8.35

ONTARIO PROVINCIAL STANDARD DRAWING

Nov 2013 Rev 2

**AERIAL FLASHER BEACON
INSTALLATION**



OPSD 2540.02