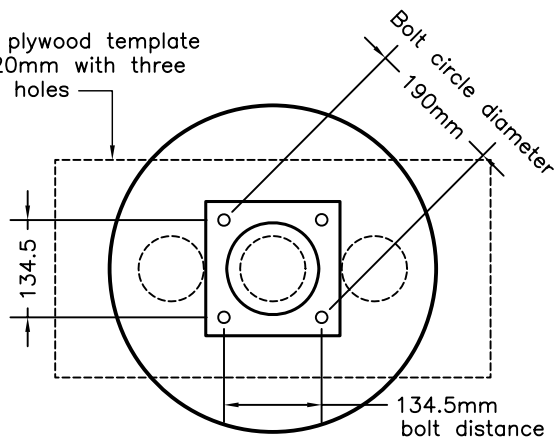


Outline of plywood template
300x600x20mm with three
90mm dia holes



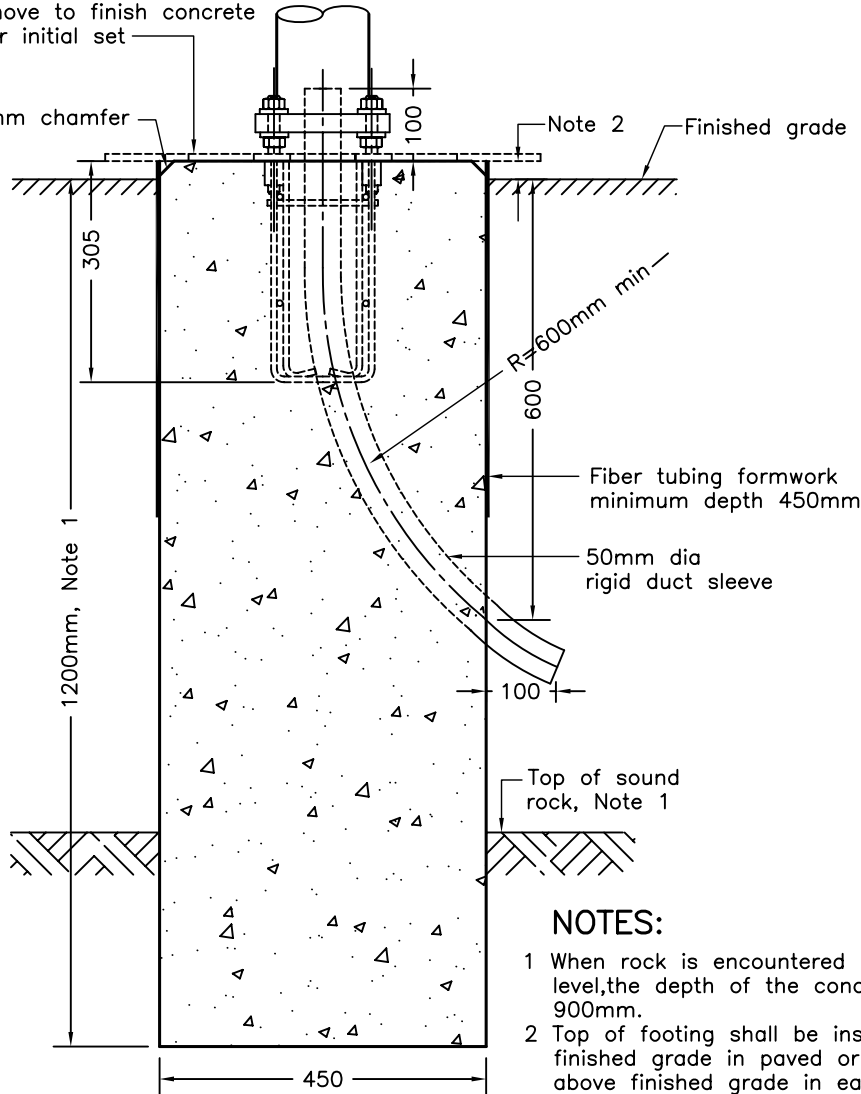
PLAN

Plywood template set level.
Remove to finish concrete
after initial set

20mm chamfer

Note 2

Finished grade



ELEVATION

NOTES:

- 1 When rock is encountered at 600mm or less below ground level, the depth of the concrete footing shall be a minimum of 900mm.
 - 2 Top of footing shall be installed at 40mm ±15mm above finished grade in paved or concrete areas and 75mm ±25mm above finished grade in earth or granular areas.
- A All dimensions are in millimetres unless otherwise shown.