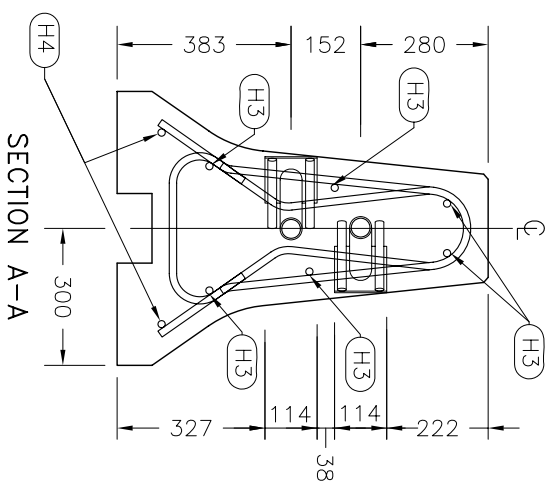
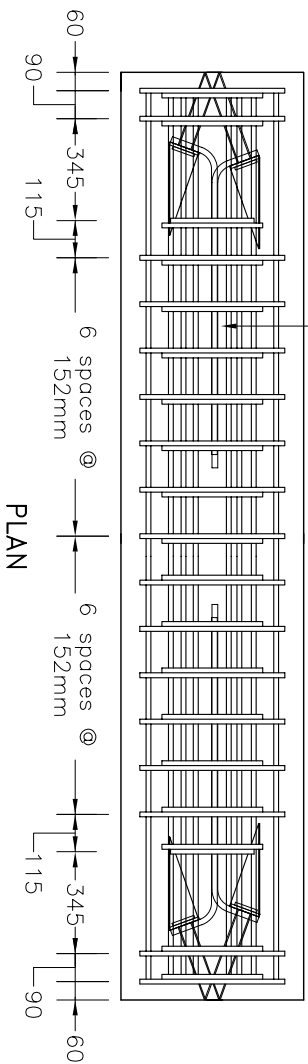


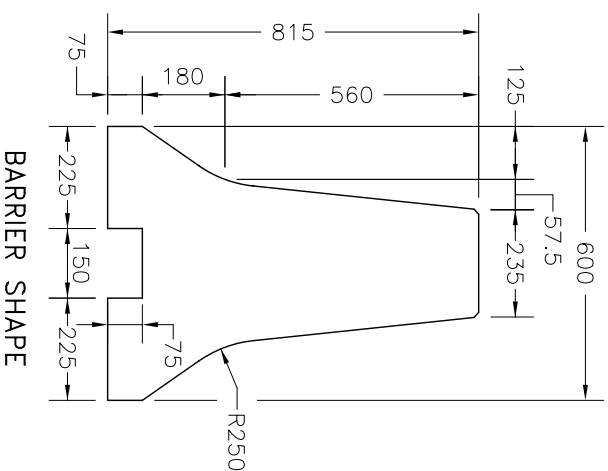
ELEVATION



SECTION A-A



PLAN



BARRIER SHAPE

- NOTES:**
1. Drainage opening.
  2. Minimum 38mm cover to longitudinal bars to be provided above the drainage openings.
  - A. This MTOD shall be read in conjunction with MTOD 911.191 and 911.192.
  - B. Minimum horizontal radius is 40m.
  - C. System configuration meets NCHRP Report 350, TL-3 and AASHTO MASH TL-3.
  - D. Welds shall be according to CSA W59 and CSA W186.
  - E. All concrete edges to have 15 x 45° chamfer.
  - F. All dimensions are in millimetres unless otherwise shown.

MINISTRY OF TRANSPORTATION ONTARIO DRAWING  
 GUIDE RAIL SYSTEM, CONCRETE BARRIER  
 TYPE X CONNECTION, 3.048m LENGTH  
 INSTALLATION – TEMPORARY

December 2017 Rev 0

MTOD – 911.193