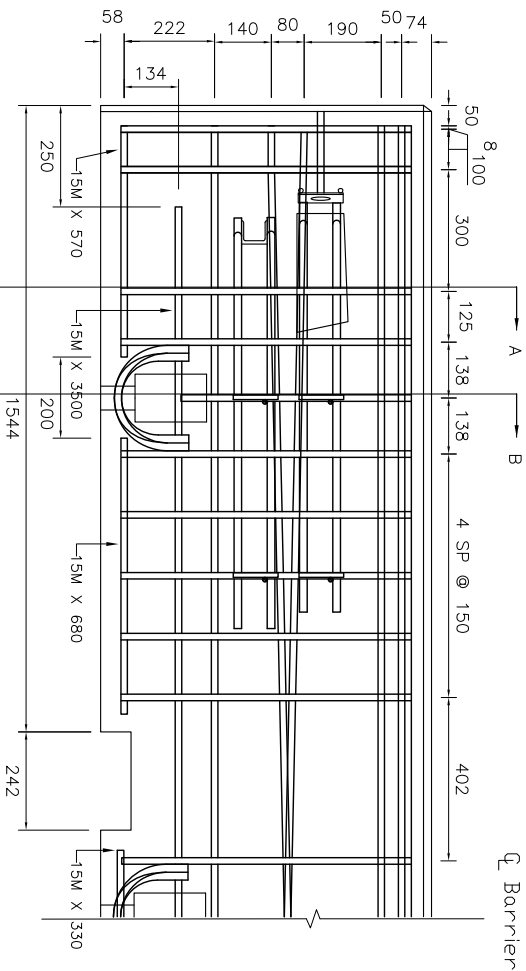
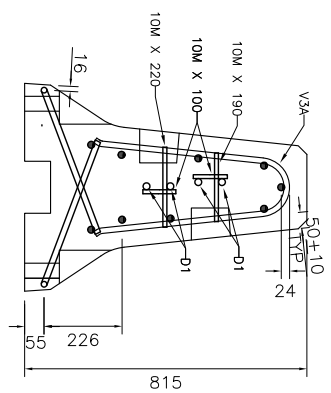


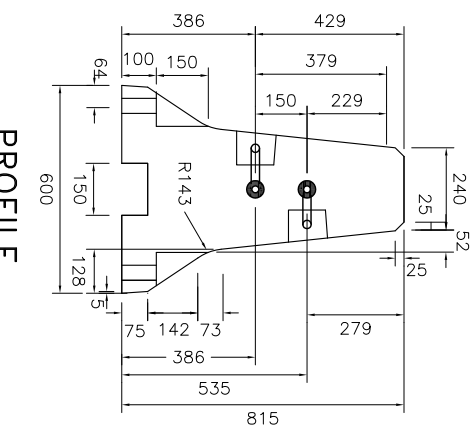
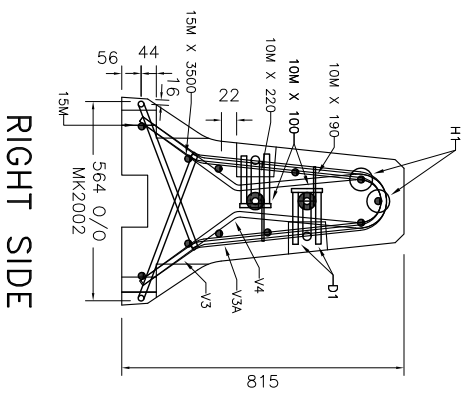
PLAN

SECTION A-A

SECTION B-B



ELEVATION



NOTES:

1. System configuration meets AASHTO MASH TL-3
 2. Drawing to be read in conjunction with MTOD 911.191 & 911.197
- A All dimensions are in millimetres unless otherwise shown.

MINISTRY OF TRANSPORTATION DRAWING

April 2018

Rev 0

GUIDE RAIL SYSTEM, CONCRETE BARRIER
TYPE X CONNECTION, 4.0M LENGTH
INSTALLATION – TEMPORARY

MTOD – 911.194