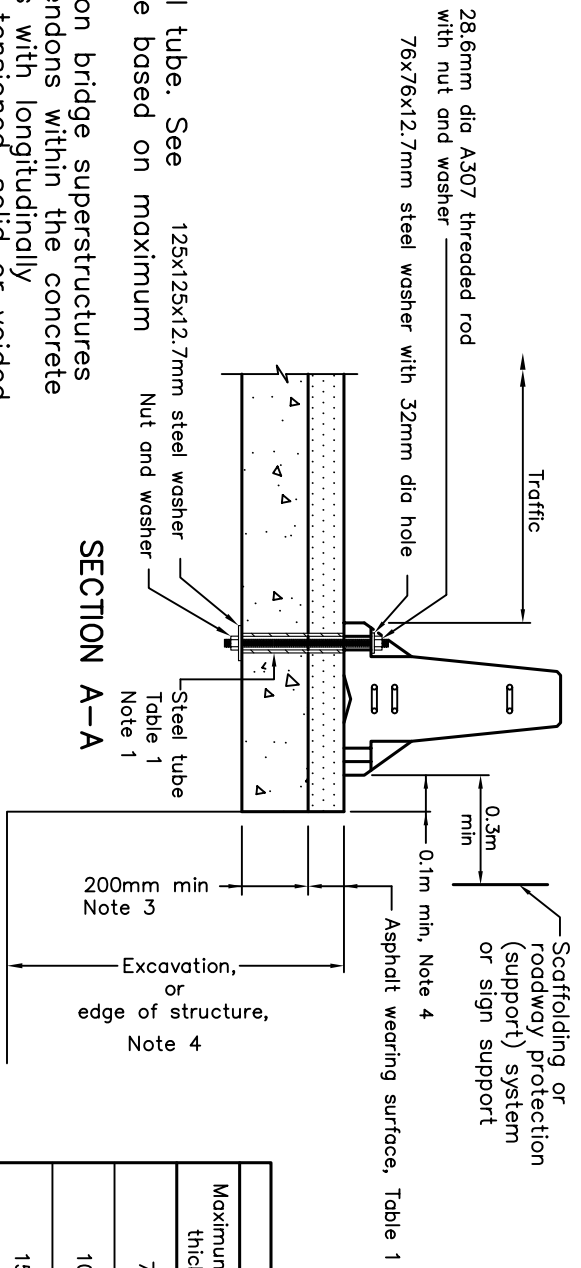


ELEVATION



Maximum asphalt thickness	Steel tube diameter
76	73 OD 41 ID
100	83 OD 51 ID
150	95 OD 64 ID

NOTES:

- 1 Cold drawn over mandrel steel tube. See Table 1 for minimum tube size based on maximum asphalt thickness.
 - 2 This MTOD shall not be used on bridge superstructures that contain post tensioned tendons within the concrete deck or bridge superstructures with longitudinally prestressed, transversally post tensioned, solid or voided concrete slab units.
 - 3 Minimum concrete strength shall be 27MPa.
 - 4 When the level area between the back of the barrier and the upper edge of an excavation is less than one metre, use of this standard requires the Owner to have a signed and sealed memorandum from an Engineer for each installation used during construction according to Ontario Regulation 213/91.
- A This MTOD shall be read in conjunction with OPSPD 911.160 and MTOD 911.172.
- B System configuration is equivalent to MTOD 911.167, which meets NCHRP Report 350 TL-3.
- C All dimensions are in millimetres unless otherwise shown.

MINISTRY OF TRANSPORTATION ONTARIO DRAWING	February 2018	Rev 1
GUIDE RAIL SYSTEM, CONCRETE BARRIER	-----	
TYPE M CONNECTION	-----	
INSTALLATION – TEMPORARY RESTRAINT SYSTEM	-----	
BOLTED THROUGH CONCRETE WITH ASPHALT SURFACE	-----	
MTOD 911.168		