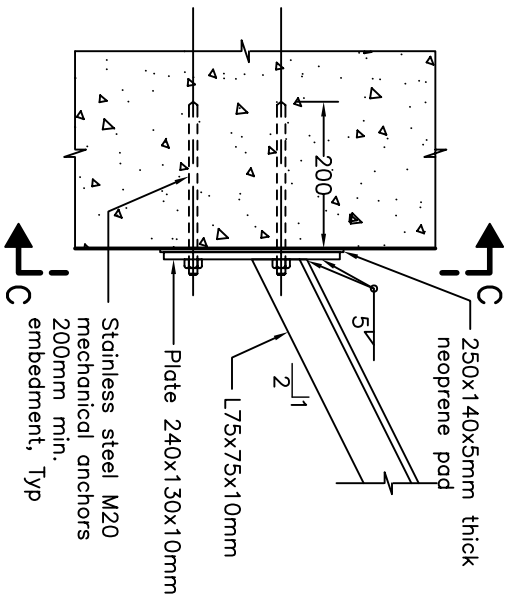
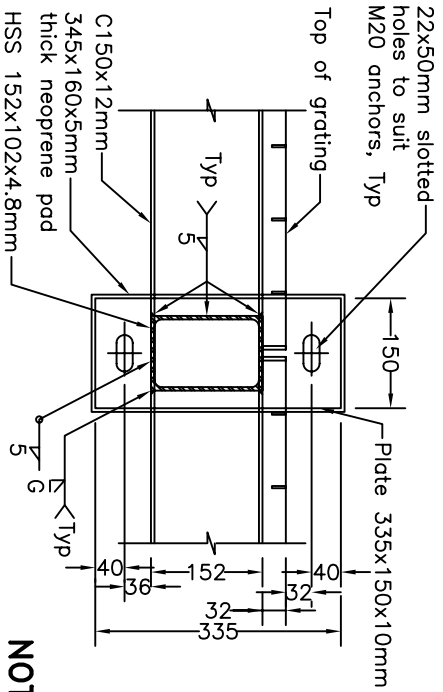


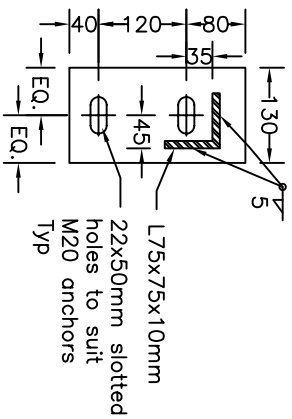
**DETAIL B**



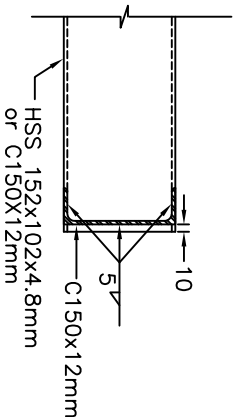
**DETAIL C**



**SECTION B-B**



**SECTION C-C**



**SECTION D-D**

**NOTES:**

- A This drawing shall be read in conjunction with MTOD's 2218.030, 2218.032.
- B All dimensions are in millimetres unless otherwise shown.

MINISTRY OF TRANSPORTATION ONTARIO DRAWING		January 2007	Rev 0
HIGH MAST LIGHTING POLE MAINTENANCE PLATFORM DETAILS - PREFABRICATED STEEL			
MTOD--2218.031			