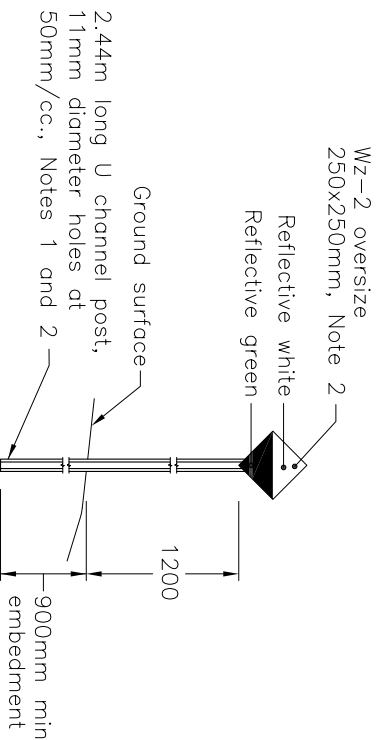
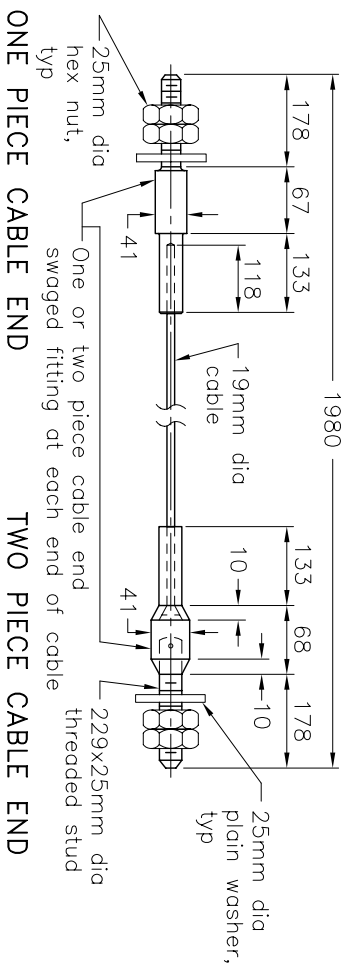
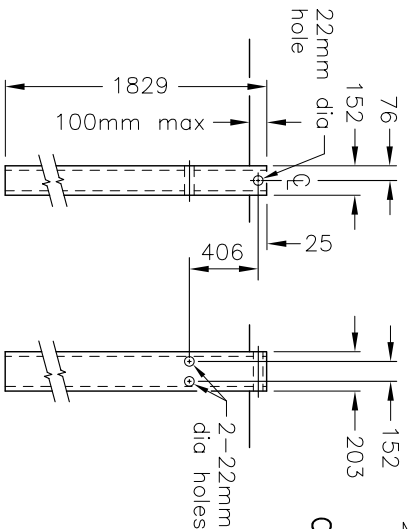
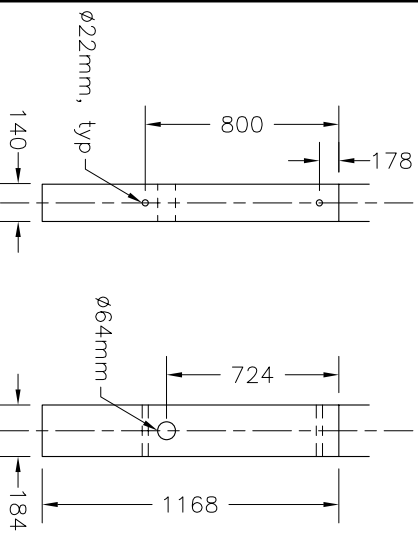
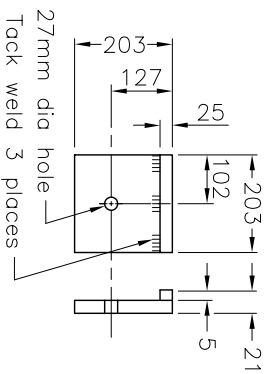


STEEL BEARING PLATE DETAIL



NOTES:

1. Minimum weight of post shall be 4.46 kg/m.
 2. Post and mounting hardware shall be hot dip galvanized after fabrication according to ASTM A 123.
 3. Steel bearing plate shall be secured against rotation using nails into post. All dimensions subject to manufacturing tolerances unless otherwise indicated.
- B.** All dimensions are in millimetres unless otherwise shown.

MINISTRY OF TRANSPORTATION ONTARIO DRAWING		September 2017	Rev	0
GUIDE RAIL SYSTEM, STEEL BEAM				
TYPE M20 AND M30 LEAVING END TREATMENT				
POST COMPONENTS				
MTOD 912.257				