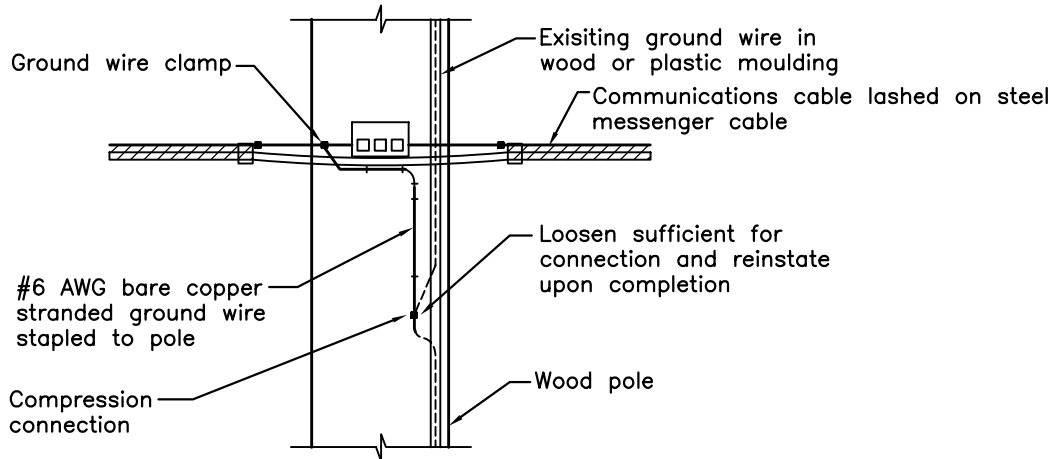
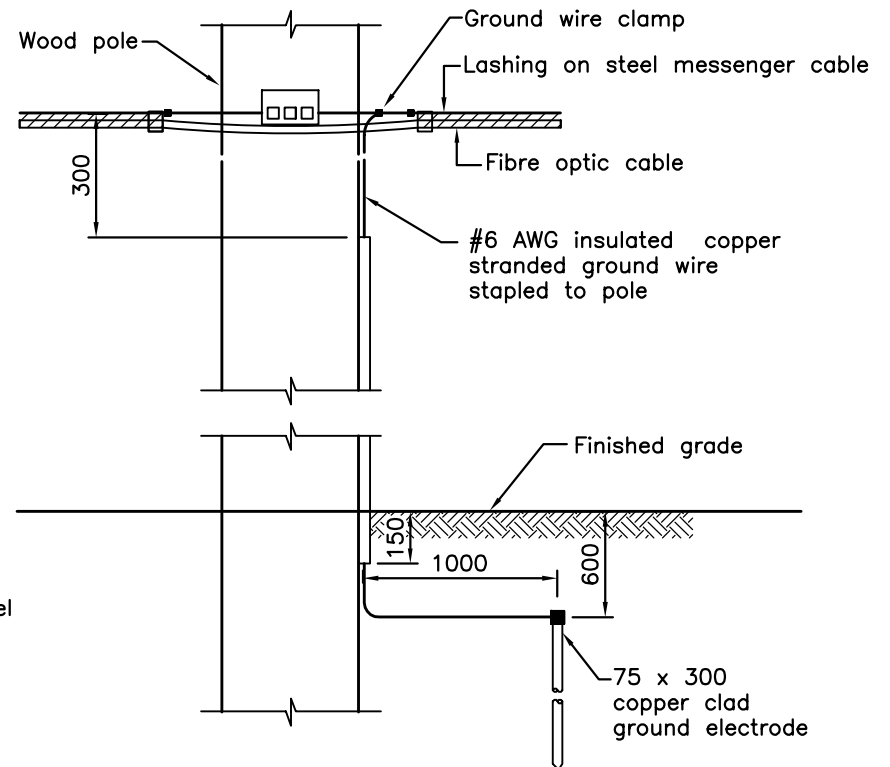


BONDING TO EXISTING COMMUNICATIONS STRAND



BONDING TO EXISTING UTILITY GROUND



INDEPENDENT GROUND

NOTE:

A. All dimensions are in millimetres unless otherwise shown.

MINISTRY OF TRANSPORTATION ONTARIO DRAWING	Date	Sept. 2007	Rev	0
ADVANCED TRAFFIC MANAGEMENT SYSTEM GROUNDING FOR OVERHEAD COMMUNICATIONS CABLE SYSTEMS		-----		

		MTOD - 2910.010		