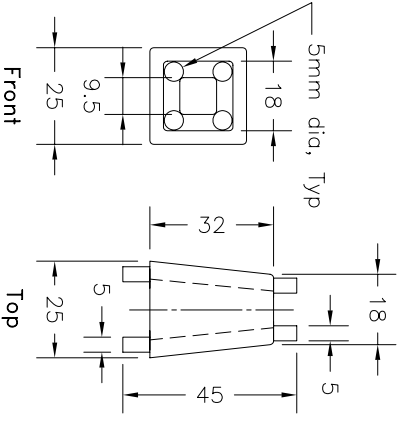
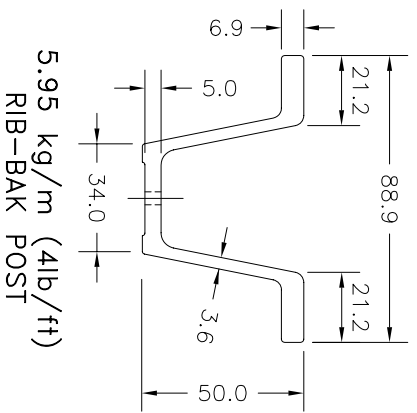


C BRACKET

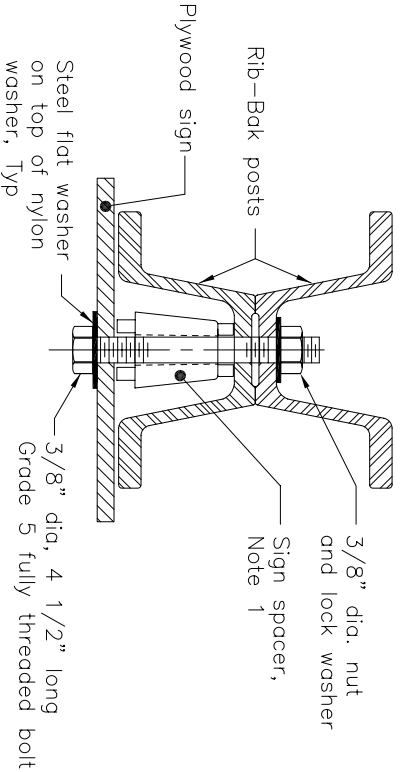
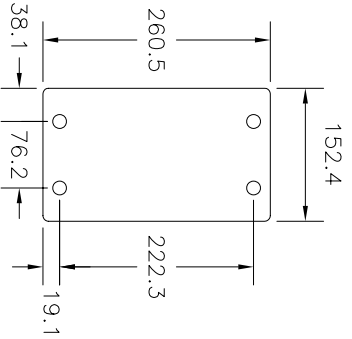


SPACER FOR SIGN TO POST

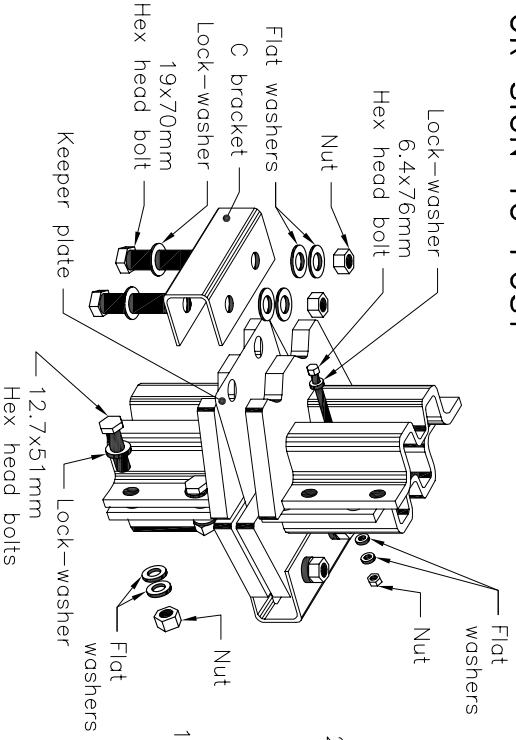
Note 1



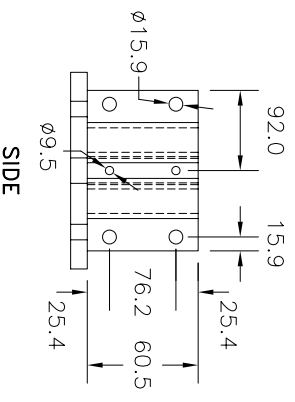
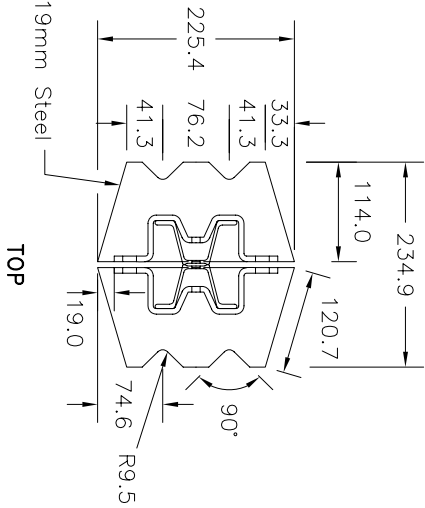
KEEPER PLATE



SIGN ASSEMBLY



DETAIL A



NOTES:

- Sign spacers shall be molded from Acrylonitrile Butadiene Styrene thermoplastic resin.
- Posts and hardware depicted on this MTOD are proprietary.
- Posts shall be manufactured from hot rolled carbon steel bars according to Marion Steel Company Grade SP-80 having minimum yield strength of 552 MPa according to ASTM A 499.
- Posts shall be perforated with 9.5mm diameter holes @ 25mm c/c spacing.
- Posts shall be hot dip galvanized after fabrication.
- All dimensions are in millimetres unless otherwise shown.

MINISTRY OF TRANSPORTATION ONTARIO DRAWING		February 2017	Rev	0
INTERMEDIATE SIGN SUPPORT SYSTEM				
SLIP-SAFE SUPREME RIB-BAK				
BREAKAWAY SYSTEM COMPONENTS				

MTOD 992.101				
--------------	--	--	--	--