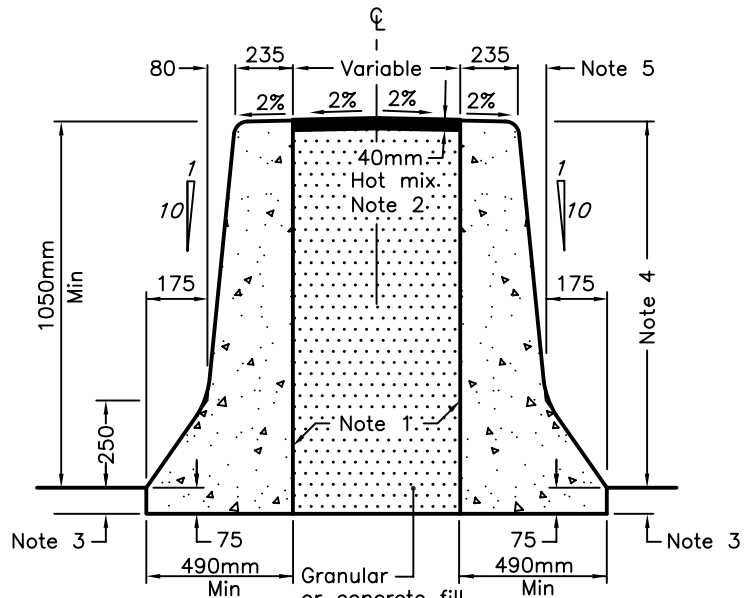
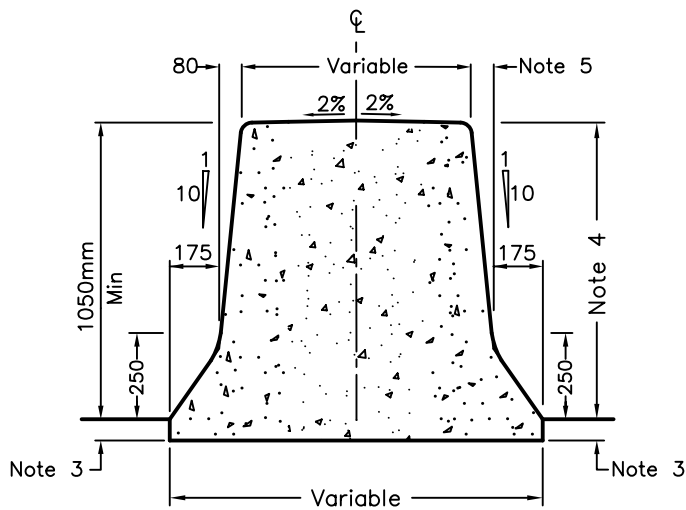


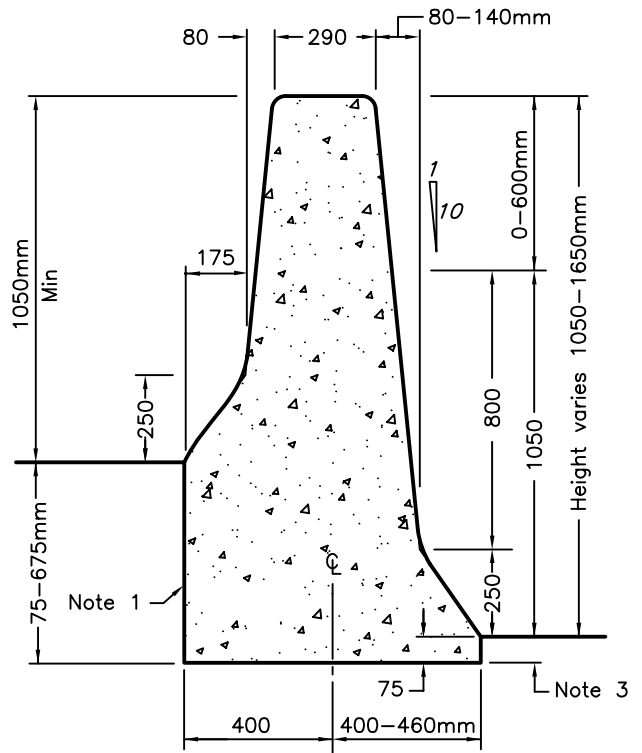
TYPE TW



TYPE TW-2



TYPE TW-3



TYPE TW-1
ASYMMETRIC SECTION

NOTES:

- 1 For slipforming procedure, a 1H:20V batter is acceptable.
 - 2 Hot mix not required when concrete fill is placed to the top of the concrete barriers.
 - 3 Embedment shall be minimum 75mm into adjacent pavement at least 3m wide.
 - 4 Height may vary from 1050 to 1650mm in an asymmetric cross section.
 - 5 Width may vary from 80 to 140mm in an asymmetric cross section.
- A System configuration equivalent to AASHTO MASH TL-5.
 B All dimensions are in millimetres unless otherwise shown.