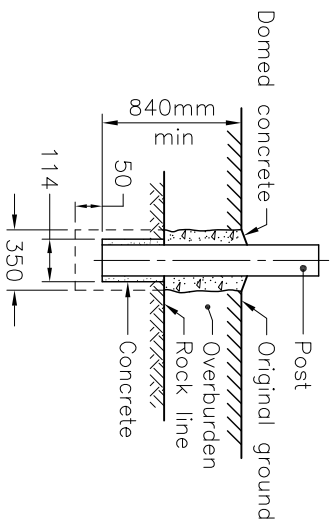
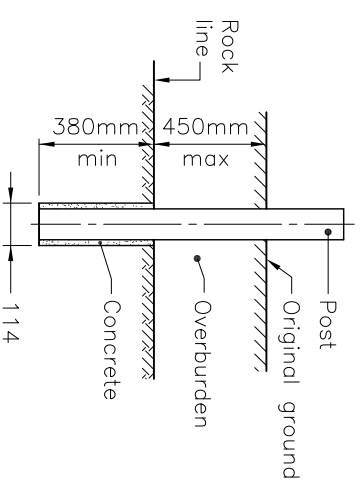


DETAIL A
FOOTING IN EARTH



DETAIL B
FOOTING IN SHALE, LOOSE
OR FRIABLE ROCK, OR SOLID
ROCK WITH MORE THAN
450mm
OVERBURDEN



DETAIL C
FOOTING IN SOLID ROCK
LESS THAN 450mm
OVERBURDEN

NOTES:

A. All dimensions are in millimetres unless otherwise shown.

MINISTRY OF TRANSPORTATION ONTARIO DRAWING		September 2017	Rev	0
WILDLIFE FENCE WOOD POST FOOTING DETAILS		-----		

		MTOD 973.141		