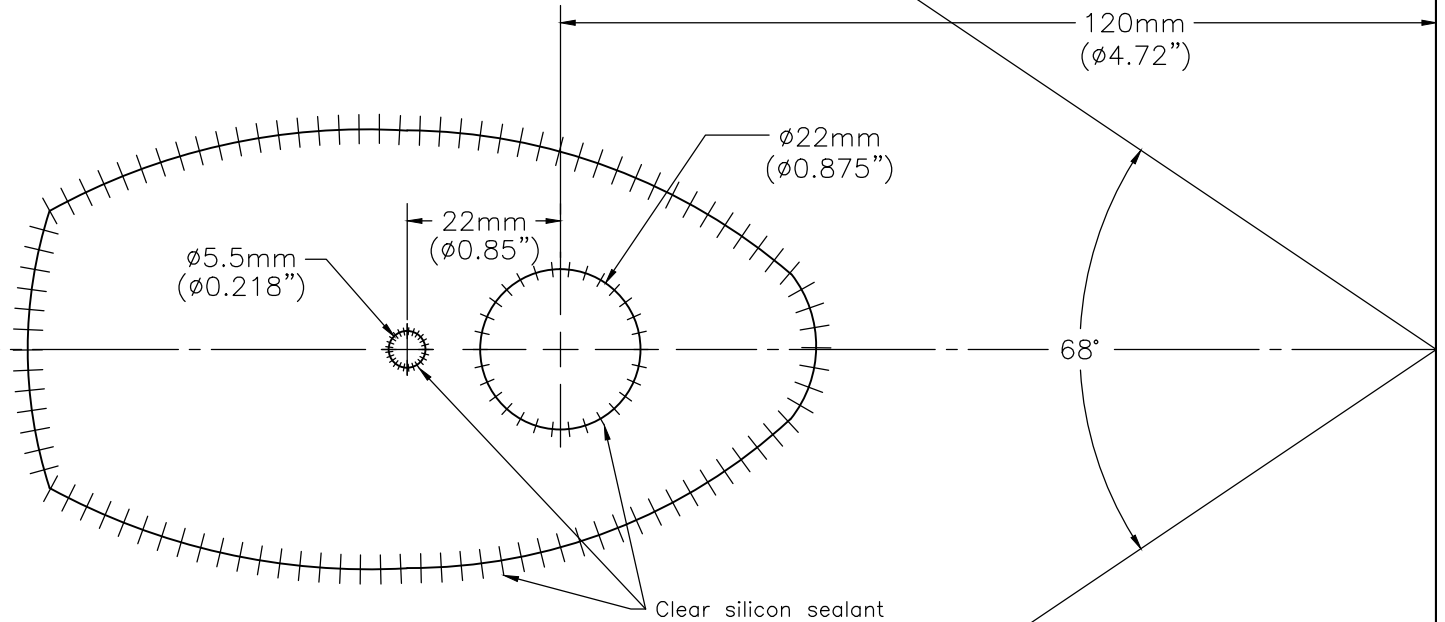


NOTES:

- A Surface must be clean and degreased with minimum 60% alcohol prior to installation and apply clear silicon sealant around all openings (holes) and perimeter of the antenna during the installation.
- B All dimensions are in millimetres unless otherwise shown.



MINISTRY OF TRANSPORTATION ONTARIO DRAWING

March 2016

Rev 1

TEMPLATE FOR
ANTENNA MOUNTING

MTOD - 2510.101