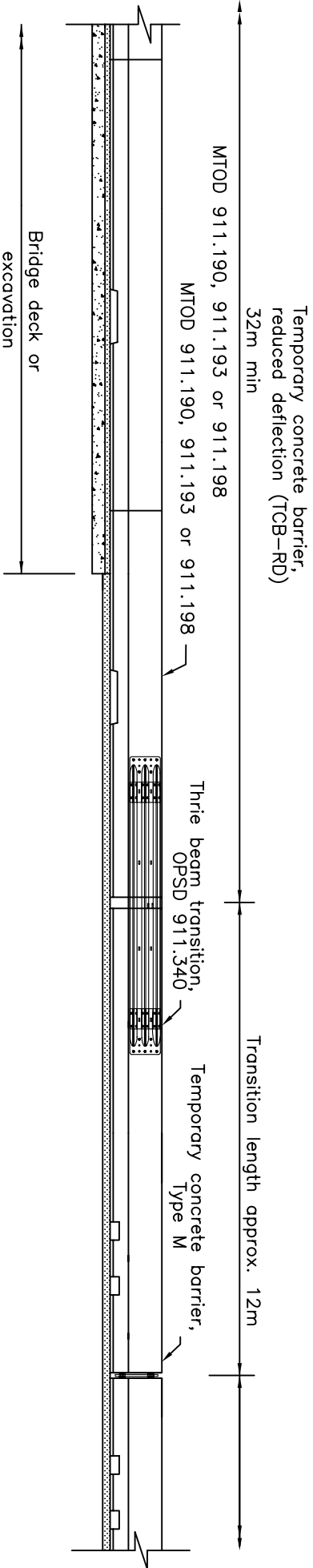


PLAN



ELEVATION

NOTES:

1. Temporary concrete barrier as specified or transition to energy attenuator according to MTOD 911.232 or 911.233.
- A. All dimensions are in millimetres unless otherwise shown.

MINISTRY OF TRANSPORTATION ONTARIO DRAWING		February 2018	Rev	1
GUIDE RAIL SYSTEM, CONCRETE BARRIER				
TYPE X CONNECTION				
INSTALLATION – TEMPORARY REDUCED DEFLECTION				
TRANSITION TO TCB				
MTOD 911.196				