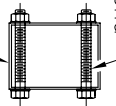
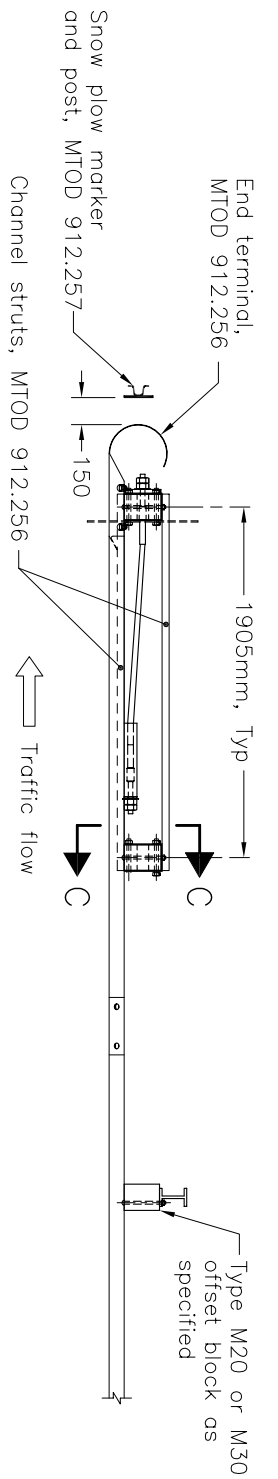


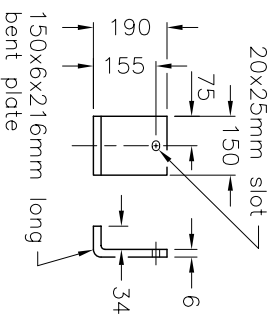
2-20mm dia x 200mm long hex bolt, hex nut and flat washer at each end



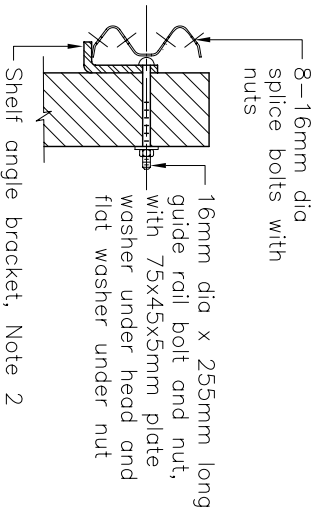
SECTION A-A



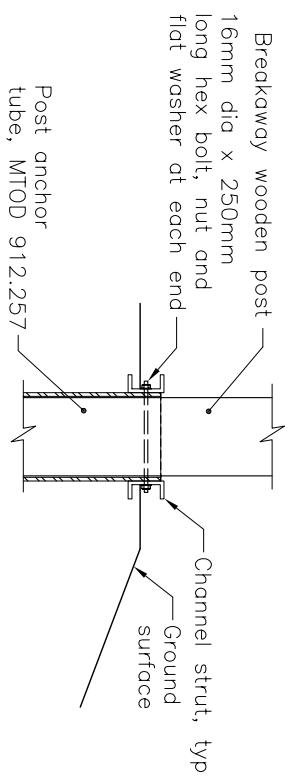
PLAN



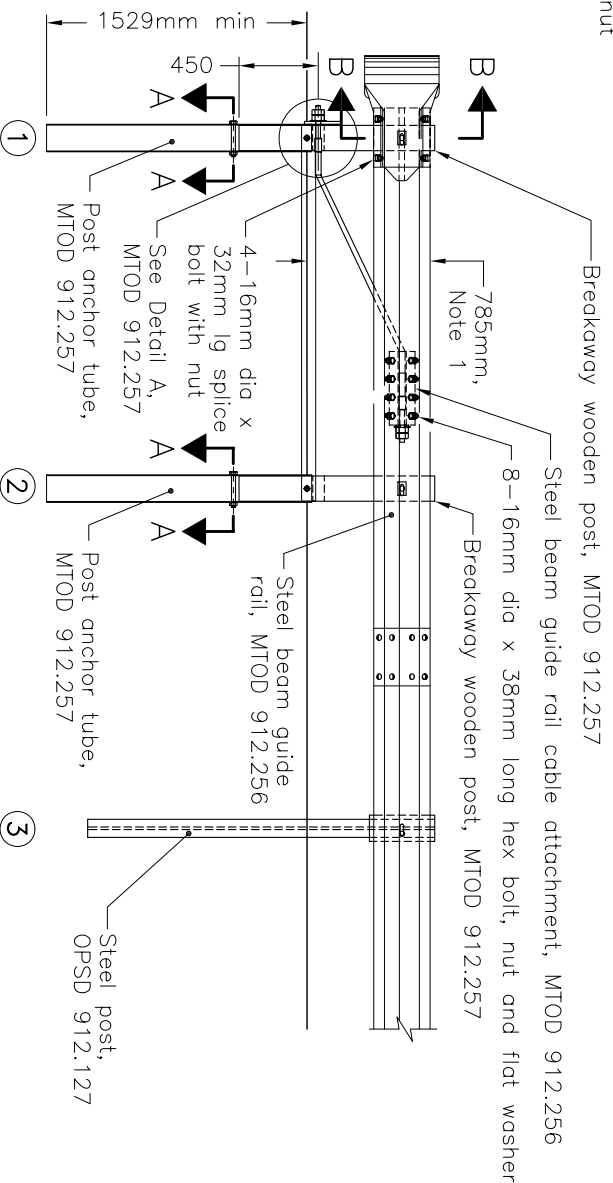
SHELF ANGLE BRACKET DETAIL



SECTION B-B



SECTION C-C



ELEVATION

- NOTES:**
1. Mounting height to top of steel beam measured vertically at face of rail.
 2. Rail is not bolted to post 1 and is supported by shelf angle bracket that is bolted to post 1.
 3. Splice and mounting hardware according to OPSD 912.125.

B. This MTOD to be read in conjunction with MTOD 912.256 and MTOD 912.257.

C. All dimensions subject to manufacturing tolerances unless otherwise indicated.

D. System configuration meets AASHTO MASH TL-3.

E. All dimensions are in millimetres unless otherwise shown.

MINISTRY OF TRANSPORTATION ONTARIO DRAWING		September 2017	Rev	2
GUIDE RAIL SYSTEM, STEEL BEAM		-----		
TYPE M20 AND M30 LEAVING END TREATMENT		-----		
INSTALLATION		-----		
MTOD 912.255		-----		