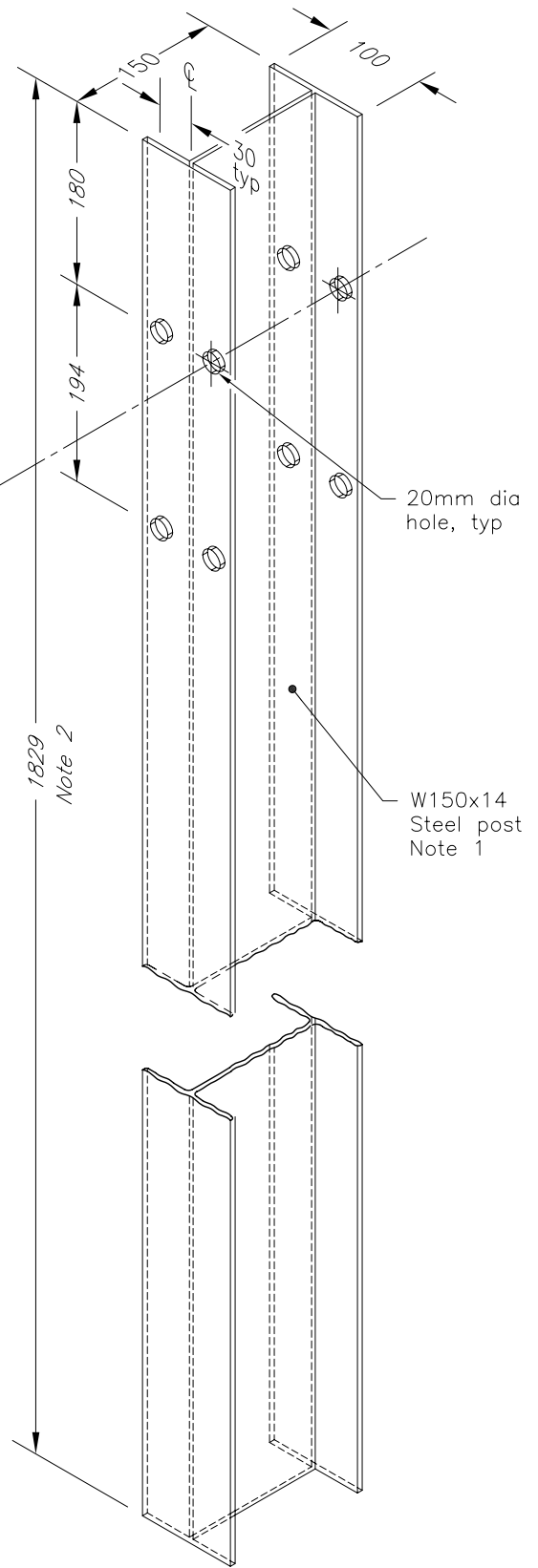


ROUTED WOODEN OFFSET BLOCK



POST DETAIL

NOTES:

- 1 Imperial size steel sections W6x9 or W6x8.5 are acceptable.
- 2 Post length shall be 2134mm when specified and when 2134mm long shall be stamped with a 50mm high number "7" in center of web 50mm below top of post.
- A All dimensions are in millimeters unless otherwise shown.

MINISTRY OF TRANSPORTATION ONTARIO DRAWING

December 2016

Rev 0

GUIDE RAIL SYSTEM, STEEL BEAM  
STEEL POST FOR THRIE BEAM RAIL  
WITH 30cm OFFSET BLOCK  
COMPONENT

MTOD - 912.126