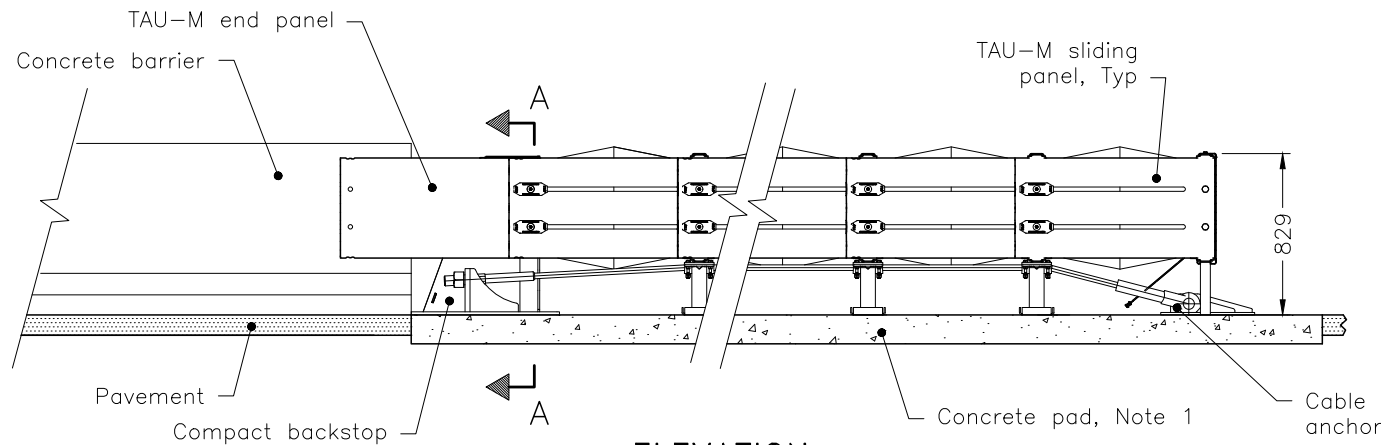
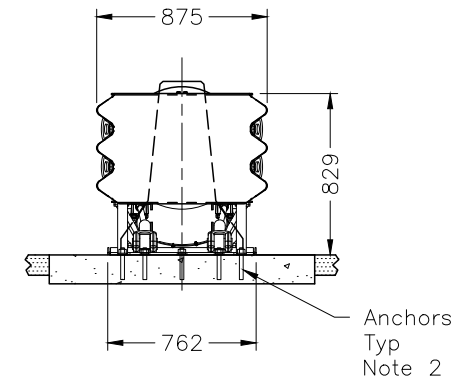


PLAN

SYSTEM CONFIGURATION	TL-2	TL-3
NUMBER OF CARTRIDGES REQUIRED	4	7
SYSTEM LENGTH	4334	6934



ELEVATION



SECTION A-A

NOTES:

- 1 The system shall be anchored to a concrete pad as detailed in OPSD 923.001.
Braces for asphalt shall be used when system is placed on asphalt over granular.
- 2 Anchors shall be according to the manufacturer's specifications.
- A Delineation shall be according to OPSD 984.204.
- B The system depicted here is a proprietary product.
- C System configuration meets AASHTO MASH TL-2 or TL-3 (Table 1).
- D All dimensions are in millimetres unless otherwise shown.

MINISTRY OF TRANSPORTATION ONTARIO DRAWING	April 2019	Rev	0
ENERGY ATTENUATOR, CRASH CUSHION TAU-M SYSTEM INSTALLATION - PERMANENT UNIDIRECTIONAL		----- -----	
		MTOD - 923.398	