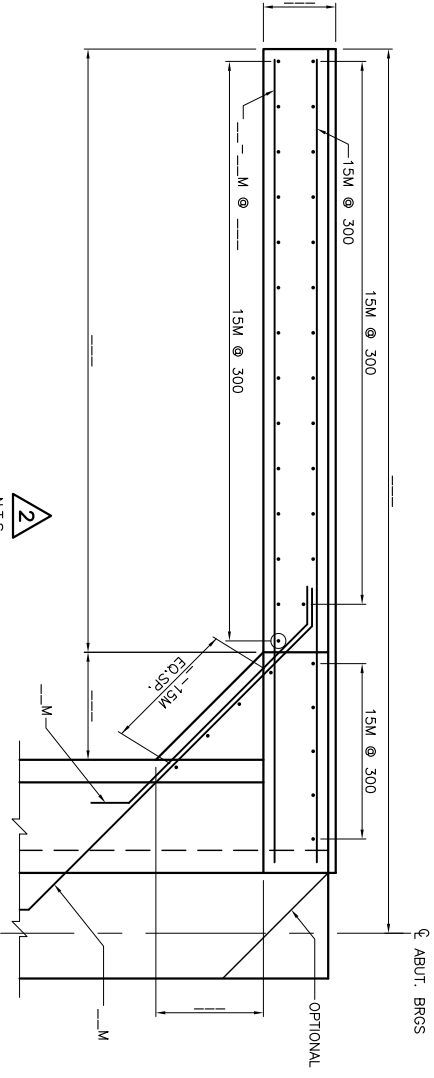
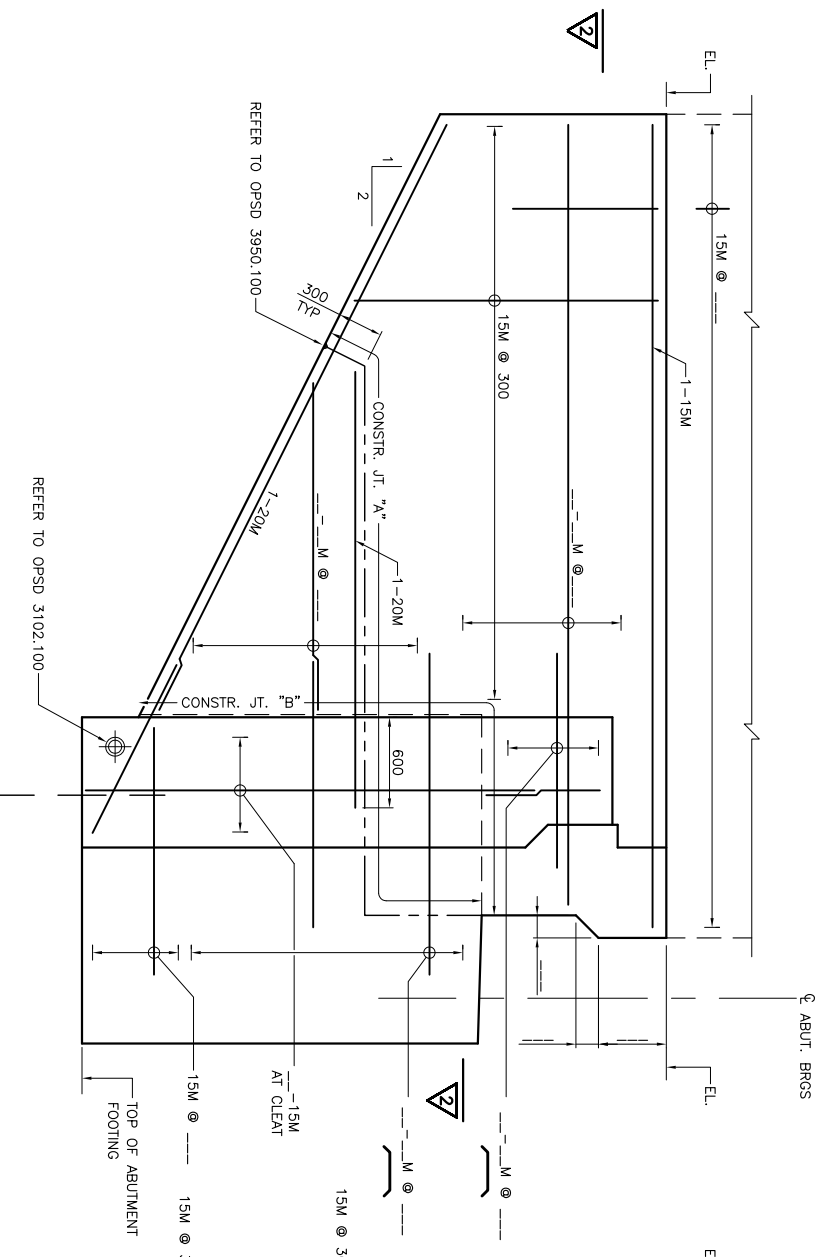


**METRIC**  
 DIMENSIONS ARE IN METRES  
 AND/OR MILLIMETRES  
 UNLESS OTHERWISE SHOWN

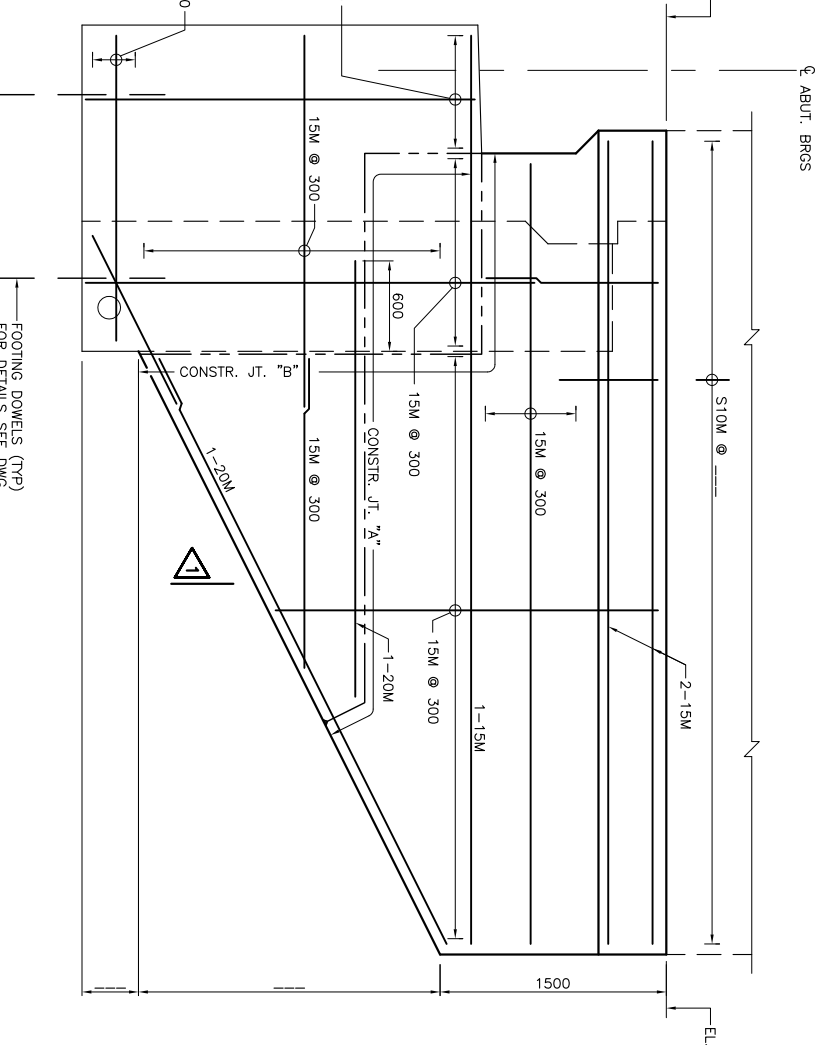
CONT No	○
WP No	
WINGWALL DETAILS FOR BRIDGES	
SHEET	



DIMENSIONS AND REINFORCEMENT



INSIDE FACE  
N.T.S.



OUTSIDE FACE  
N.T.S.

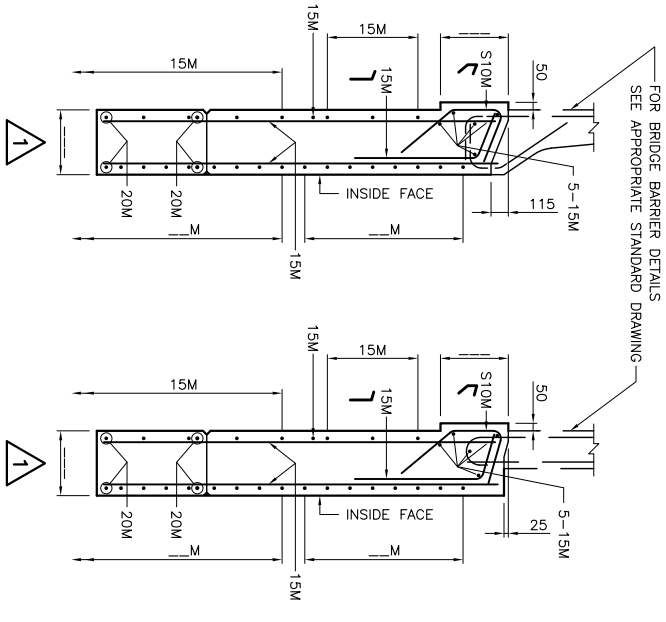
WINGWALL ELEVATIONS  
 DIMENSIONS AND REINFORCEMENT

**NOTES:**

1. THIS DRAWING TO BE READ IN CONJUNCTION WITH ABUTMENT AND BARRIER/PARAPET WALL DRAWINGS.
2. TOP OF CLEAT TO BE CAST 35mm BELOW APPROACH SLAB LEDGE.
3. REINFORCING STEEL SHALL BE GRADE 400W UNLESS OTHERWISE SPECIFIED.
4. STAINLESS STEEL SHALL BE TYPE 316 LN OR DUPLEX 2205 WITH A MINIMUM YIELD STRENGTH OF 500MPA. BARS MARKED WITH PREFIX 'S' DENOTE STAINLESS STEEL.

**NOTE TO DESIGNER**

1. FOR RIGID FRAME AND INTEGRAL ABUTMENT TYPE BRIDGES, THIS STANDARD DRAWING WILL NEED TO BE MODIFIED AS REQUIRED.  
 2. CONSTRUCTION JOINTS:  
 "A" REFERS TO POST-TENSIONED SUPERSTRUCTURES  
 "B" REFERS TO SLAB-ON-GIRDER SUPERSTRUCTURES



**APPLICABLE STANDARD DRAWINGS**  
 OPSD 3102.100 WALLS ABUTMENT BACKFILL DRAIN  
 OPSD 3950.100 JOINTS CONCRETE EXPANSION AND CONSTRUCTION ON STRUCTURE

STANDARD DRAWING	<b>SS105-2</b>
JAN 2013	
<b>WINGWALL DETAILS FOR BRIDGES</b>	

DRAWING NOT TO BE SCALED  
 100mm ON ORIGINAL DRAWING

REVISIONS		DESCRIPTION	
DESIGN	CHK	CODE	CHBDC-00 CL 625-ONT DATE
DRAWN	CHK	SITE	DWG