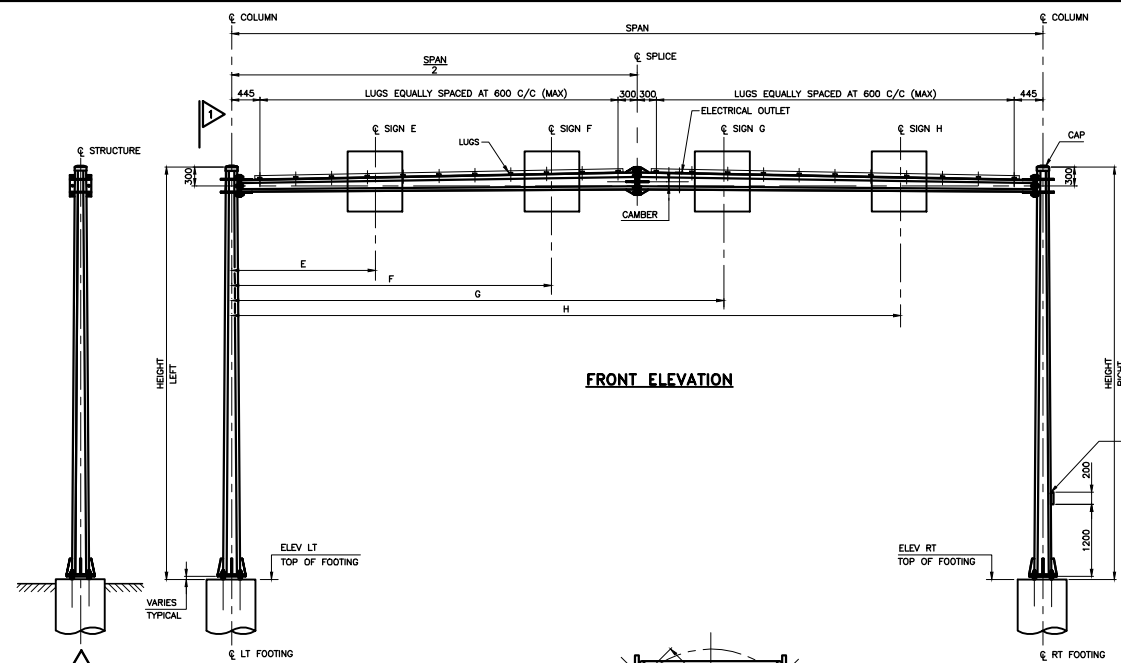
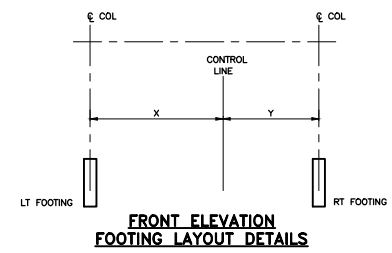


FILE NAME: C:\Users\jvankov\Documents\Bridges\Office\1. DTS Memo and dep\1. Ready dep for release\2018\Feb 25 C\18-02-12 1:50
 MODIFIED: 2018-02-12 1:50
 MINISTRY OF TRANSPORTATION, ONTARIO



METRIC
 DIMENSIONS ARE IN METRES AND/OR MILLIMETRES UNLESS OTHERWISE SHOWN
 DRAWING NOT TO BE SCALED
 100mm ON ORIGINAL DRAWING

| | | |
|---------------------------------------------------------------------------|--|--|
| Ministry of Transportation | | |
| CONT WP | | |
| STEEL MONOTUBE SIGN SUPPORT - TYPE I GENERAL ARRANGEMENT | | |
| SHEET | | |



FRONT ELEVATION

FRONT ELEVATION FOOTING LAYOUT DETAILS

GENERAL NOTES:

1. SIGN SUPPORT SHALL BE ERECTED PERPENDICULAR TO CENTRE LINE OF HIGHWAY OR AS DIRECTED BY THE ENGINEER.
2. FOOTING SHALL BE BUILT IN ACCORDANCE WITH OPSS 904, CLASS OF CONCRETE 30MPa, REINFORCING STEEL SHALL BE GRADE 400W.
3. CONCRETE SHALL BE PLACED ON UNDISTURBED GROUND IN AN AUGERED HOLE.
4. CLEAR COVER TO REINFORCING STEEL SHALL BE 100±25mm EXCEPT AS NOTED.
5. TOP OF FOOTING SHALL BE STEEL FLOAT FINISH, DEAD LEVEL.
6. SIGN BRACKETS AND ELECTRICAL OUTLETS ARE TYPICAL AT ALL SIGN LOCATIONS.
7. ALL NUTS, INCLUDING UPPER NUTS OF ANCHOR STUDS, SHALL BE TIGHTENED BY TURN-OF-NUT METHOD IN CONFORMANCE WITH CAN/CSA S6-06.
8. THIS DRAWING TO BE READ IN CONJUNCTION WITH DRAWING No. SS118-42.
9. CONDUIT SLEEVE SHALL BE RIGID PVC 75mm I.D., 90° BEND SCEPTER CAT. No. NSL-3-24 OR EQUAL.
10. STEEL FOR EACH FOOTING TO BE BUNDLED SEPARATELY AND MARKED WITH STATION NUMBER.

ANCHORAGE NOTES:

1. ANCHORAGE STRUTS AND COILS TO BE SAE STANDARD 1030 STEEL.
2. HIGH TENSILE STUDS TO BE ASTM SPECIFICATION A4140, A193, GRADE B-7 STEEL.
3. STEEL HEXAGON NUTS AND HARDENED STEEL WASHERS SHALL BE IN ACCORDANCE WITH ASTM SPECIFICATION A325.
4. THE COMPLETE ANCHORAGE ASSEMBLY INCLUDING STUDS, NUTS, AND WASHERS SHALL BE HOT-DIP GALVANIZED.
5. EXPOSED PORTION OF STUDS SHALL BE COATED WITH NON-STAINING GREASE.
6. AN 18.5mm THICK PLYWOOD SETTING TEMPLATE SHALL BE PROVIDED FOR ACCURATE POSITIONING OF ANCHORAGE WITHIN THE CONCRETE FORM.

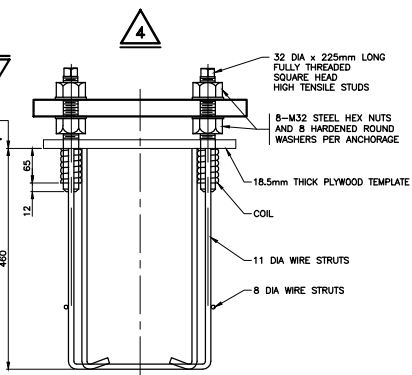
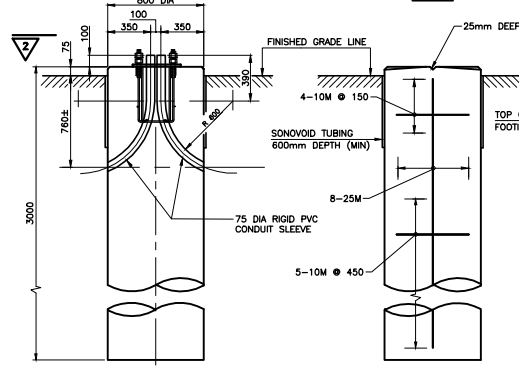
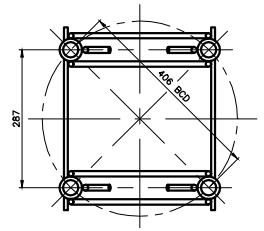
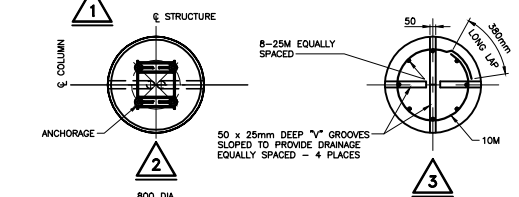


TABLE OF SIGN DATA

| SITE No. | SIGN E (mm) | | | SIGN F (mm) | | | SIGN G (mm) | | | SIGN H (mm) | | |
|----------|-------------|-------|---------|-------------|-------|---------|-------------|-------|---------|-------------|-------|---------|
| | DIM E | D X B | MESSAGE | DIM F | D X B | MESSAGE | DIM G | D X B | MESSAGE | DIM H | D X B | MESSAGE |
| | | | | | | | | | | | | |
| | | | | | | | | | | | | |
| | | | | | | | | | | | | |
| | | | | | | | | | | | | |
| | | | | | | | | | | | | |
| | | | | | | | | | | | | |
| | | | | | | | | | | | | |
| | | | | | | | | | | | | |
| | | | | | | | | | | | | |
| | | | | | | | | | | | | |

TABLE OF SUPPORT DIMENSIONS

| SITE No. | STATION | SPAN (mm) | COL HT (mm) | | ELEV. TOP OF FIG. (mm) | | X (mm) | Y (mm) |
|----------|---------|-----------|-------------|-------|------------------------|-------|--------|--------|
| | | | LEFT | RIGHT | LEFT | RIGHT | | |
| | | | | | | | | |
| | | | | | | | | |
| | | | | | | | | |
| | | | | | | | | |
| | | | | | | | | |
| | | | | | | | | |
| | | | | | | | | |
| | | | | | | | | |
| | | | | | | | | |
| | | | | | | | | |

QUANTITIES PER FOOTING

| | | | |
|--------------------------------------|------|---------------------------------|-----|
| WEIGHT OF REINFORCING STEEL - TONNES | 0.09 | VOLUME OF CONCRETE CUBIC METRES | 1.4 |
|--------------------------------------|------|---------------------------------|-----|

REFER TO 1.1.8 IN THE STRUCTURAL MANUAL FOR PROFESSIONAL ENGINEER STAMPING REQUIREMENTS.

| | |
|---------------------------------------------------------------------------|-----------------|
| STANDARD DRAWING FEBRUARY 2019 | SS118-40 |
| STEEL MONOTUBE SIGN SUPPORT - TYPE I GENERAL ARRANGEMENT | |

| REVISIONS | | DATE | BY | DESCRIPTION |
|-----------|-----|------|-----------|-------------|
| | | | | |
| | | | | |
| | | | | |
| | | | | |
| | | | | |
| DESIGN | CHK | CODE | CSA S6-00 | LOAD |
| DRAWN | CHK | SITE | | DATE |
| | | | | DWG |