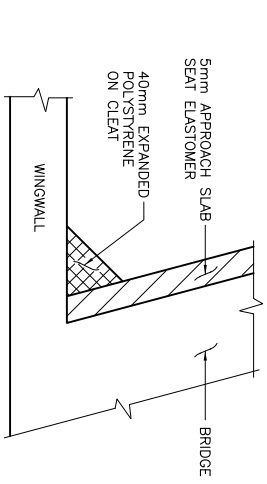
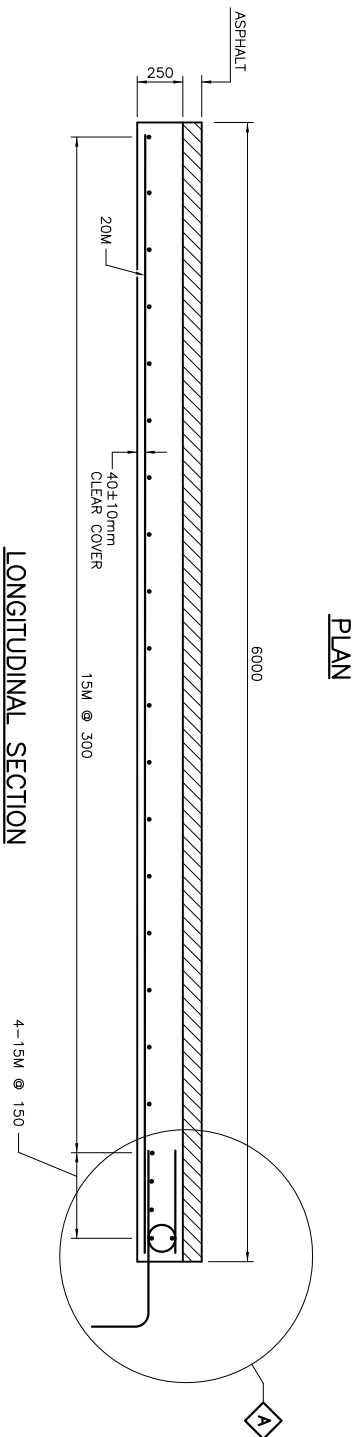
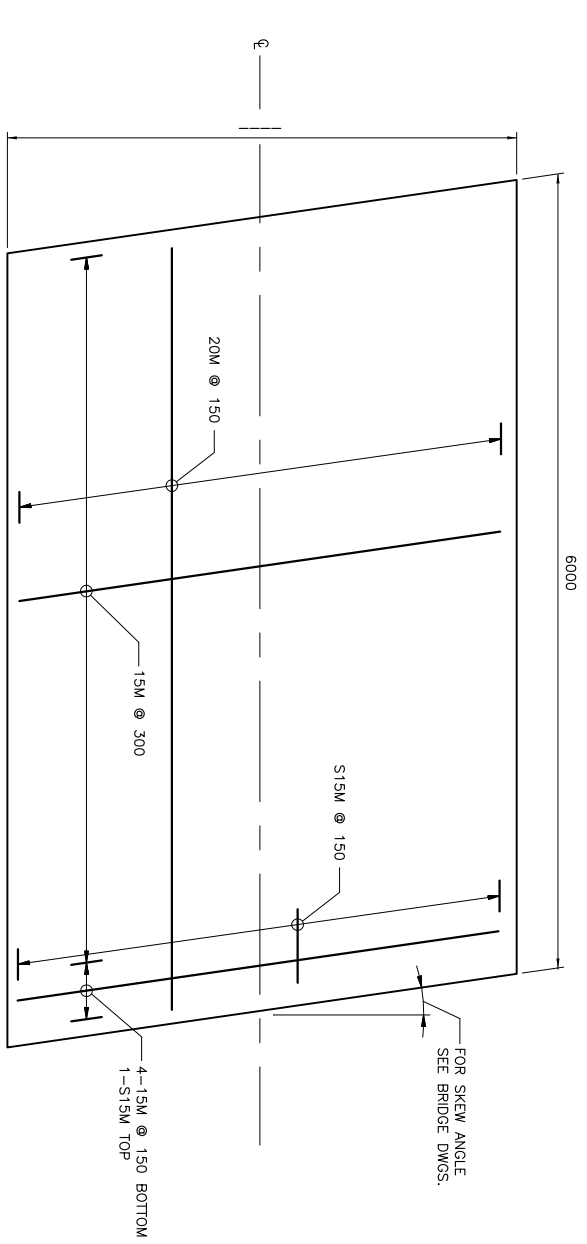
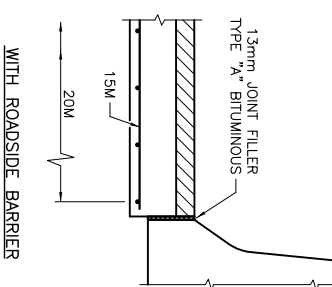
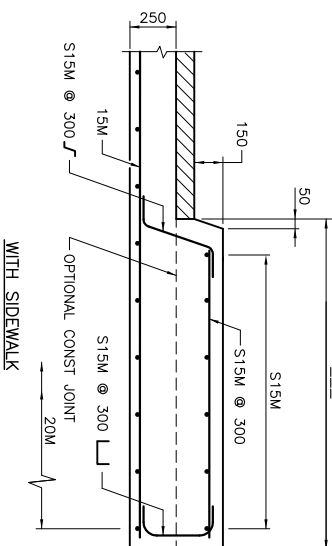
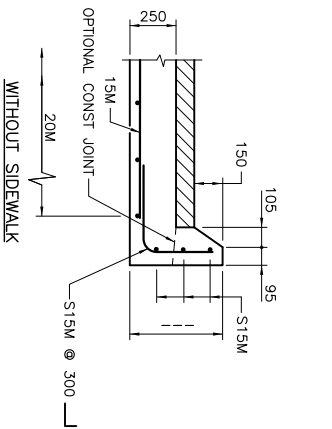


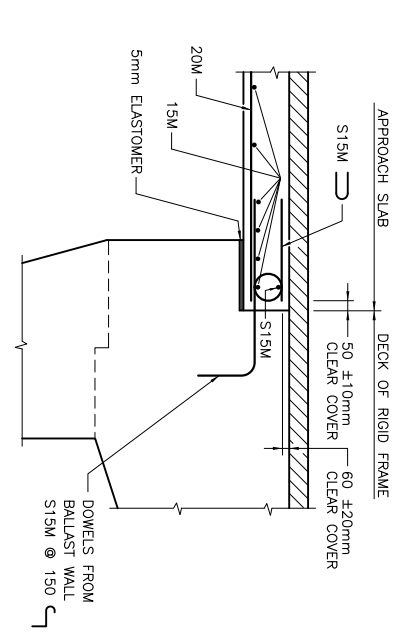
**METRIC**  
 DIMENSIONS ARE IN METRES  
 AND/OR MILLIMETRES  
 UNLESS OTHERWISE SHOWN



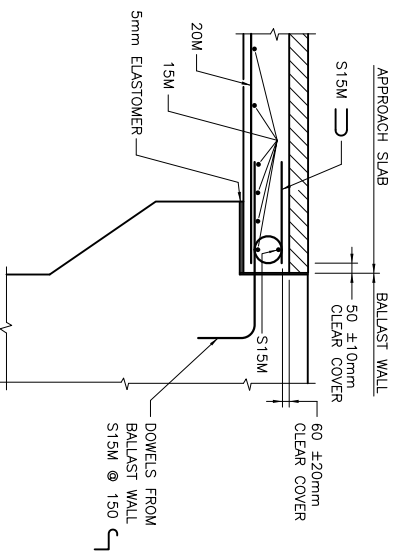
**DETAIL AT CLEAT**



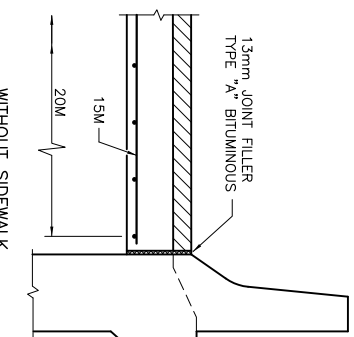
**SECTION BEYOND WINGWALL**



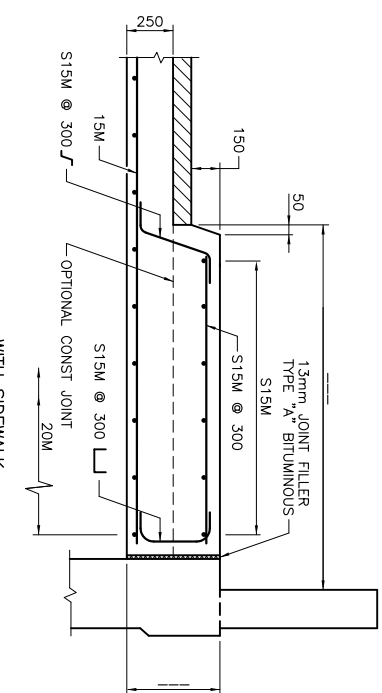
**FOR BRIDGES WITHOUT EXPANSION JOINTS**



**FOR BRIDGES WITH EXPANSION JOINTS**



**SECTION AT WINGWALL**



CONT No	WP No	SHEET
6000 mm APPROACH SLAB		

- NOTES:**
- CLEAR COVER TO REINFORCING STEEL 70 ± 20 mm EXCEPT AS NOTED.
  - LAYOUT OF REINFORCING STEEL WILL BE SIMILAR FOR LEFT HAND AND ZERO DEGREE SKEW.
  - STAINLESS STEEL BARS SHALL BE TYPE 316 LN OR DUPLEX 2205 WITH A MINIMUM YIELD STRENGTH OF 500MPa. REINFORCING STEEL SHALL BE GRADE 400W.
  - WATERPROOFING AT JOINT BETWEEN BRIDGE AND APPROACH SLAB TO BE IN ACCORDANCE WITH OPSD 3370.100.
  - WATERPROOFING FOR BRIDGES WITHOUT EXPANSION JOINTS (RIGID FRAMES AND INTEGRAL ABUTMENTS) TO BE IN ACCORDANCE WITH OPSD 3370.101.
  - BARS MARKED WITH PREFIX S DENOTE STAINLESS STEEL BARS.

**APPLICABLE STANDARD DRAWINGS**

- OPSD 3370.100 DECK, WATERPROOFING HOT APPLIED ASPHALT MEMBRANE WITH PROTECTION BOARD
- OPSD 3370.101 DECK, WATERPROOFING HOT APPLIED ASPHALT MEMBRANE AT ACTIVE CRACKS GREATER THAN 2mm WIDE AND CONSTRUCTION JOINTS

REFER TO 1.1.8 IN THE STRUCTURAL MANUAL FOR PROFESSIONAL ENGINEER STAMPING REQUIREMENTS

STANDARD DRAWING	SS116-1
MARCH 2016	
6000 mm APPROACH SLAB	

DRAWING NOT TO BE SCALED  
 100 mm ON ORIGINAL DRAWING

REVISIONS		DATE	DESCRIPTION	DATE
DESIGN	BY			
CHK	CHK			
DRAWN	CHK			