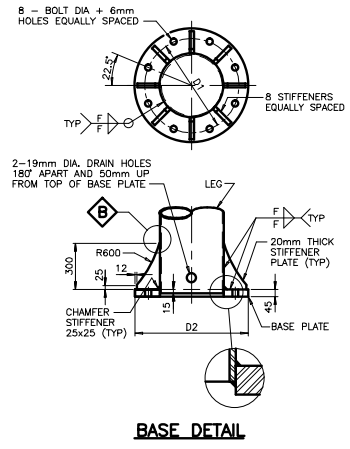
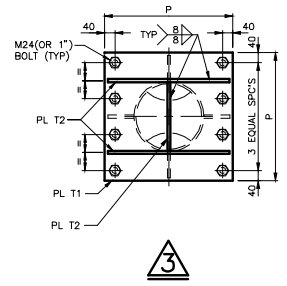
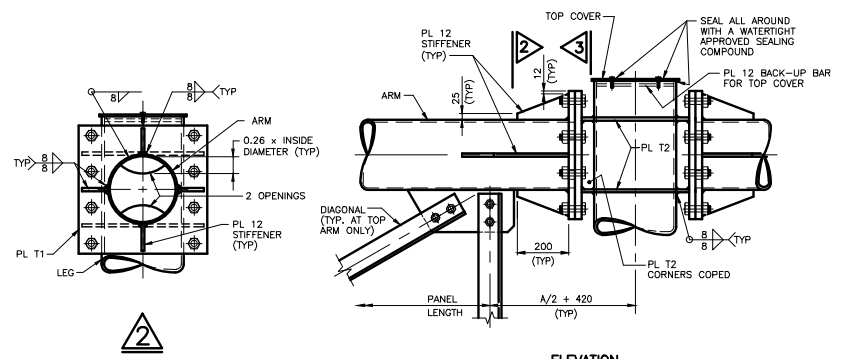
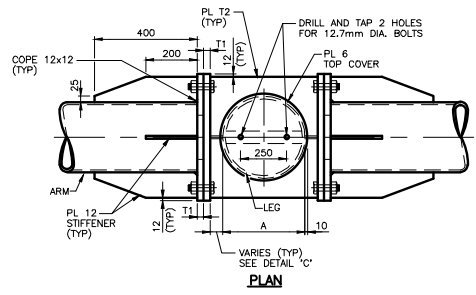
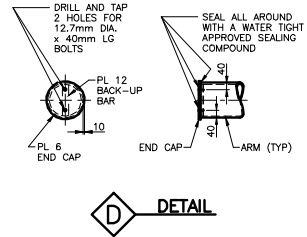
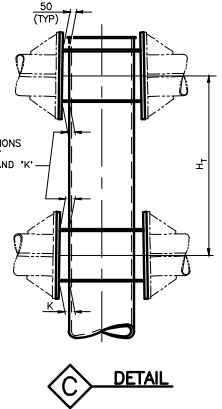
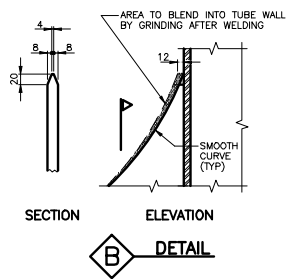
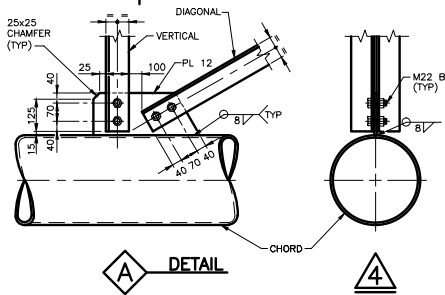
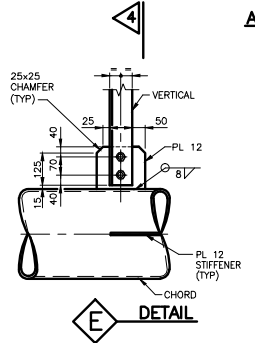


CONT WP		
BUTTERFLY STATIC SIGN SUPPORT DETAILS (BOLTED JOINT)		
		SHEET

METRIC
 DIMENSIONS ARE IN METRES AND/OR
 MILLIMETRES UNLESS OTHERWISE SHOWN
 DRAWING NOT TO BE SCALED
 100mm ON ORIGINAL DRAWING



- NOTES:**
1. THIS STANDARD IS APPLICABLE TO CLASS 1, 2, 3 AND 4.
 2. THIS DRAWING SHALL BE READ IN CONJUNCTION WITH STANDARD DRAWING SS118-71.



REFER TO 2.4.1 IN THE SIGN SUPPORT MANUAL FOR PROFESSIONAL ENGINEER STAMPING REQUIREMENTS.

STANDARD DRAWING JULY 2017	SS118-72
BUTTERFLY STATIC SIGN SUPPORT DETAILS (BOLTED JOINT)	

REVISIONS	DATE	BY	DESCRIPTION

DESIGN	CHK	CODE	CHBDC-14	LOAD	DATE
DRAWN	CHK	SITE			DWG